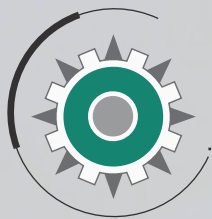


# PARTS ELEKTRO



Prins Maasdijk





**INDEX**

---

	<i>Page</i>
REMARKS .....	<b>3</b>
1 - OUTER PANEL .....	<b>5</b>
2 - MOUNTING POWER UNIT .....	<b>7</b>
3 - BRAKE PIPING .....	<b>9</b>
4 - DASHBOARD .....	<b>11</b>
5 - PARKING BRAKE .....	<b>13</b>
6 - MAST .....	<b>15</b>
7 - SIDE-SHIFT .....	<b>17</b>
8 - STEERING AXLE .....	<b>19</b>
9 - WHEELS AND RIMS .....	<b>21</b>
10 - HYDRAULICS STEERING CYLINDER.....	<b>23</b>
11 - HYDRAULICS HYDRO PUMP .....	<b>25</b>
12 - HYDRAULICS LIFTING .....	<b>27</b>
13 - HYDRAULICS TILTING .....	<b>29</b>
14 - ELECTRO RACK.....	<b>31</b>
15 - ILLUMINATION .....	<b>33</b>
ATTACHMENT 1 – WIRING DIAGRAM .....	<b>34</b>
ATTACHMENT 2 – MAIN CABLE .....	<b>35</b>
ATTACHMENT 3 – CONNECTORS.....	<b>36</b>
ATTACHMENT 4 – CONNECTORS & CONNECTIONS .....	<b>37</b>
ATTACHMENT 5 – CONNECTIONS LAMPS .....	<b>38</b>

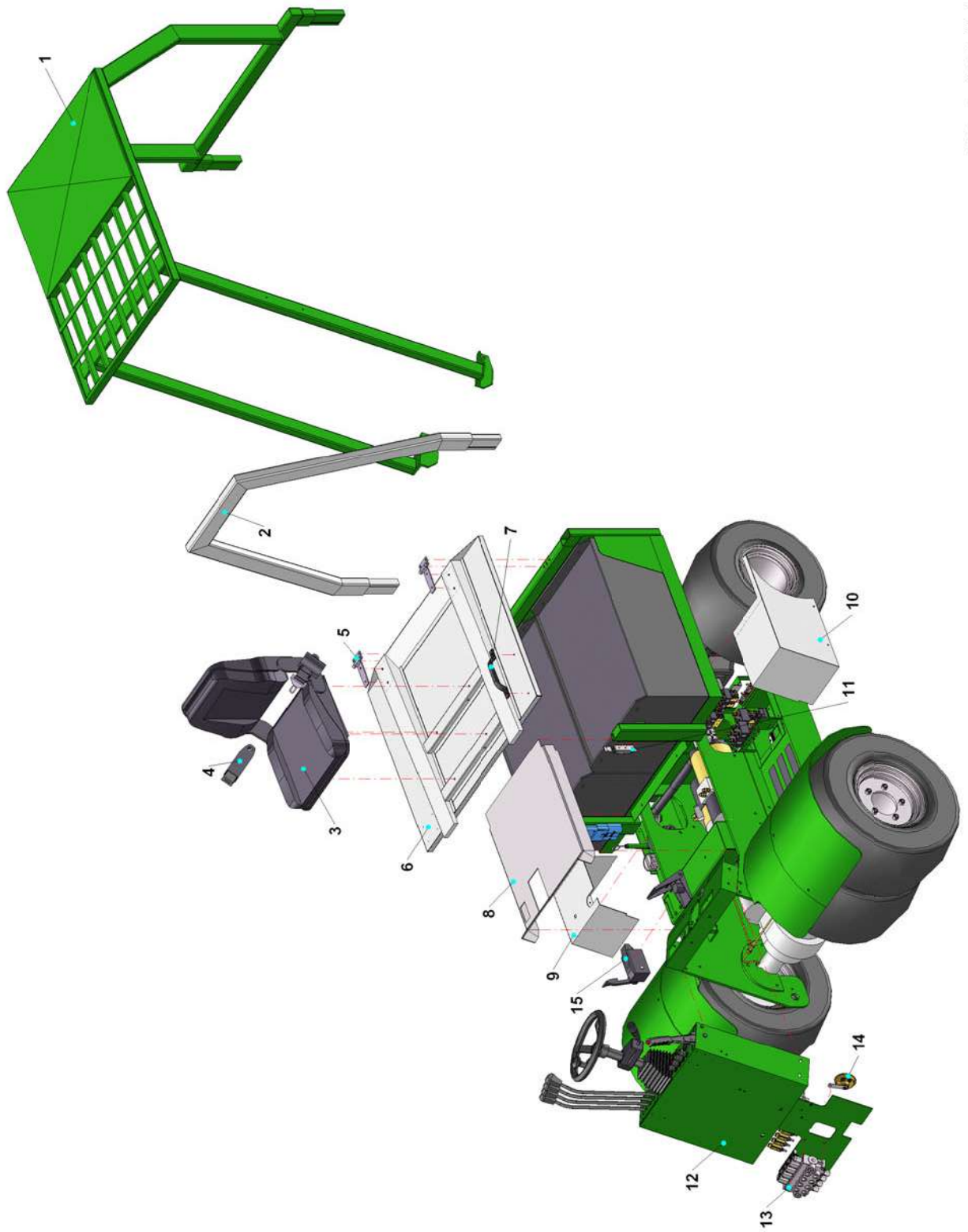
**REMARKS**

---

- If you want to order some parts please use this parts book.
- You must always mention the serial number of the truck which you can find on the identification label on the dashboard.
- Please mention the right parts number and description.
- Some parts are only available in assembly and have no parts number.
- This parts book can be changed without any information.

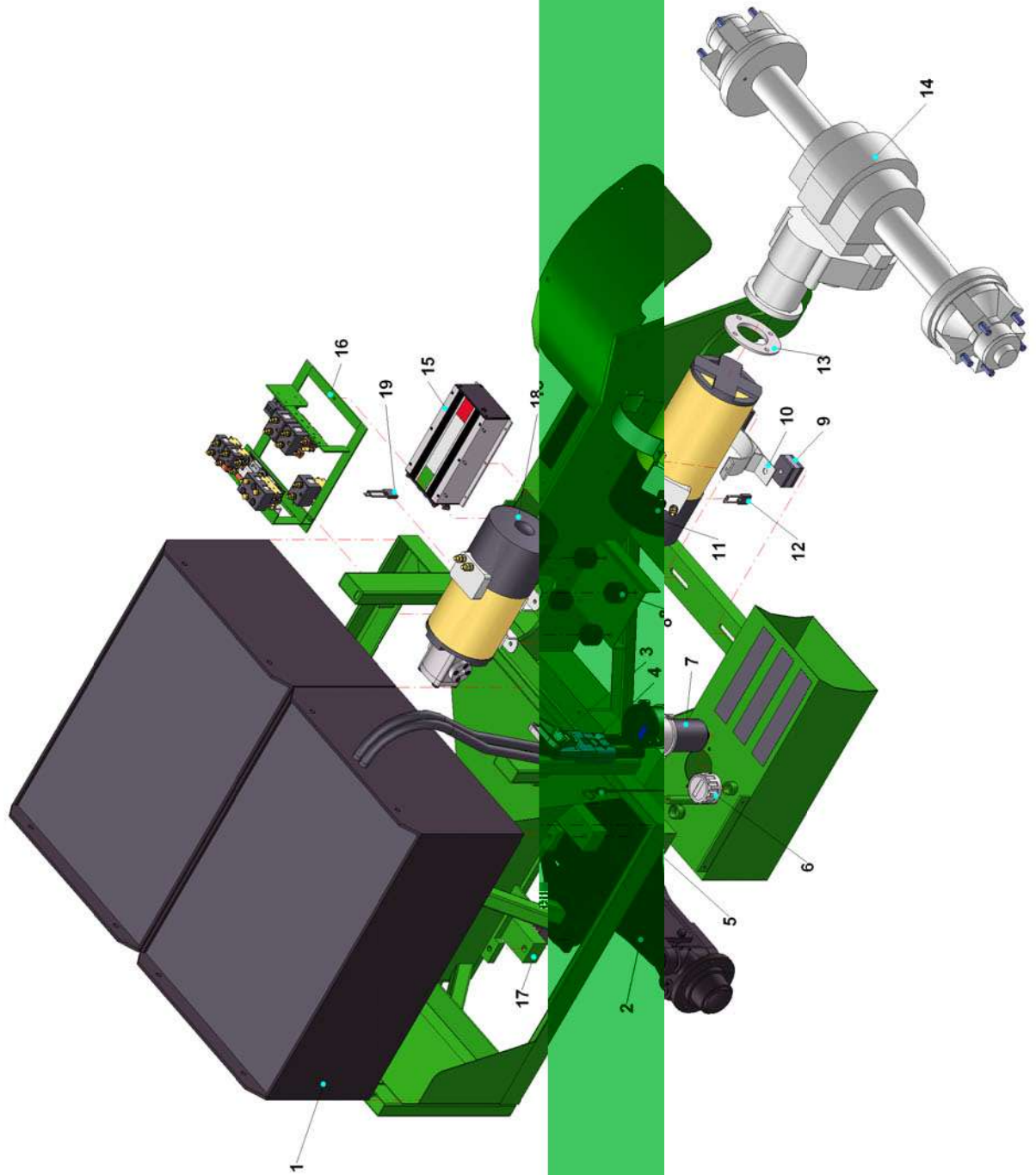
Prins Mechanisatie  
Tuindersweg 37  
2676 BD Maasdijk  
Holland

Edition August, 2007



**1 - OUTER PANEL**

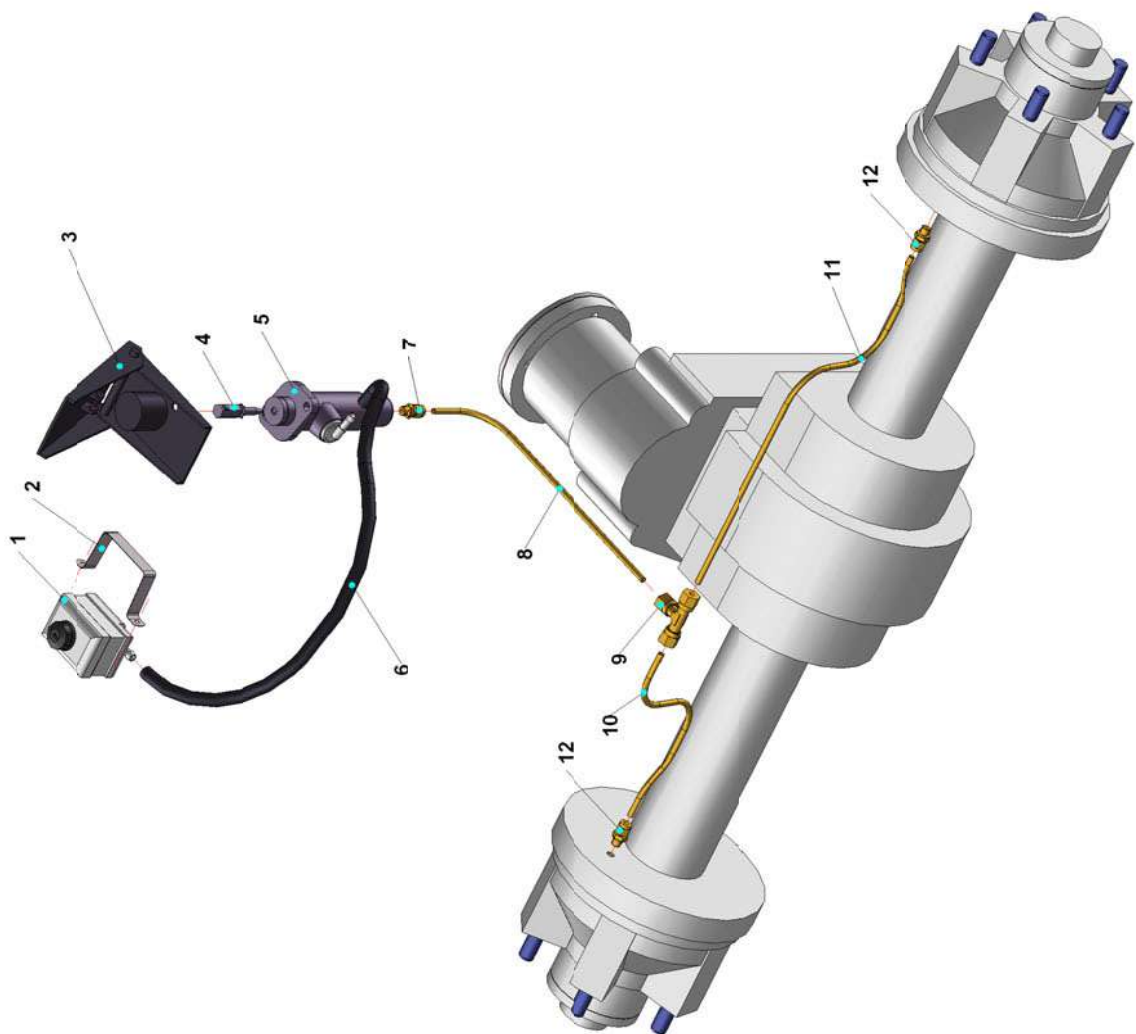
<b>Pos.no.</b>	<b>Quantity</b>	<b>Description</b>	<b>Parts number</b>
1	1	Safety guard	PE.0009
2	1	Safety bracket	PE.0022
3	1	Chair GS12 HT inclusive safety switch	P12.2109
4	1	Safety belt	P12.0615
5	2	Bonnet hinge	P80.1669
6	1	Battery cover	PE.0014
7	1	Handle battery cover	PE.1289
8	1	Base plate	PE.1101
9	1	Side bonnet Right	PE.1089
10	1	Side bonnet Left	PE.1088
11	1	Bonnet lock	P12.0524
12	1	Dashboard	PE.0028
13	1	4-handle Valve block SD/4	P02.220004.5
14	1	Horn 48V	P01.0197
15	1	Gas pedal	PE.FH5116.10





**2 - MOUNTING POWER UNIT**

<b>Pos.no.</b>	<b>Quantity</b>	<b>Description</b>	<b>Parts number</b>
1a	1	Traction battery 48V-390Ah 750kg truck	TB2/126ZSH390
1b	1	Traction battery 48V-585Ah 1000kg truck	TB2/129PZSH58
2	1	Steering axle complete	P80.2002
3	1	Handle connector	P01.0073.5
4	2	Connector blue	P01.0870
5	1	Gauge oil level	16649.3641.1
6	1	Cap hydraulic tank	P02.0153
7	1	Filter element MPF 100/2-A-G3-P25-NBS	PA.150102
8	4	Mounting rubber	P10.0015
9	2	Mounting rubber	P10.0012
10	1	Support electromotor	PE.1100
11	1	Electromotor Prins 5kW	PE.14059
12	4	Carbon brush Electromotor	PE.14059.05
13	1	Adaptor Transaxle-Electromotor	PE.0008
14	1	Transaxle Prins Elektro M4M-A40	PE.302827
15	11	Controller 48V 400A	PE.FH5116
16	1	Electro rack	PE.1103
17	2	Mounting block	P80.0097
18	1	Hydro pump + Electromotor 2kW 17cc	PE.2207Y/I
19	4	Carbon brush Pump motor	PE.2207Y/I.05

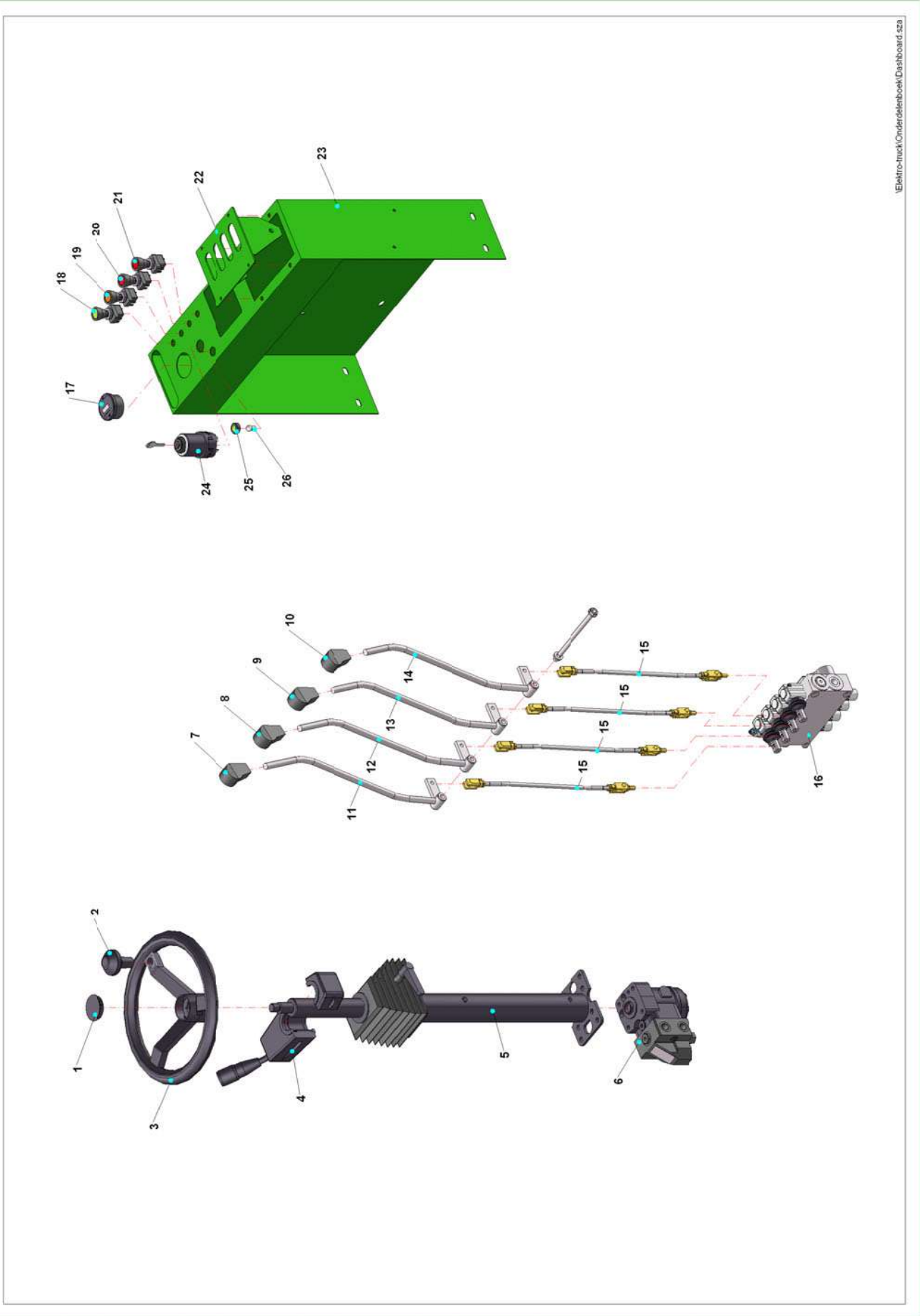


Elektro-truck \Onderdelenboek, Remleiding.sza



**3 - BRAKE PIPING**

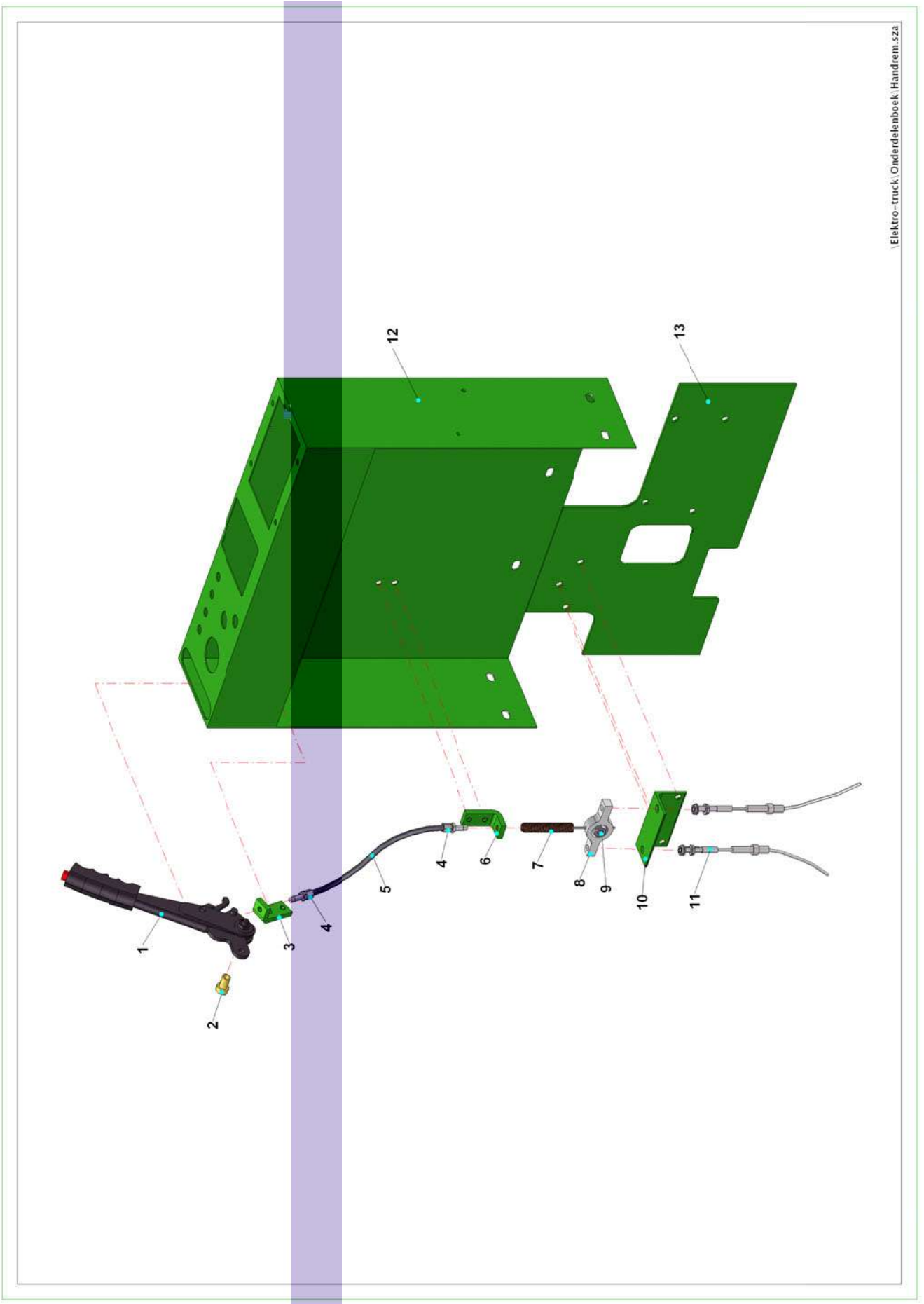
<b>Pos.no.</b>	<b>Quantity</b>	<b>Description</b>	<b>Parts number</b>
1	1	Reservoir brake fluid	P12.220005
2	1	Band reservoir brake fluid	P12.220006
3	1	Brake pedal	P12.220013
4	1	Brake pin	P80.0088
5	1	Master brake cylinder	P12.220033
6	1	Fuel pipe 8mm inside L= 60mm	P12.0528
7	1	Bleeder screw M10x1,25	P02.0035
8	1	Brake piping brake cylinder	P02.5029
9	1	T-connection 6mm	P2.134001000
10	1	Brake piping brake cylinder	P02.5029
11	1	Brake piping brake cylinder	P02.5029
12	2	Bleeder screw M10x1	PA.100360



Elektro-truck/Onderdelenboek/Dashboard.s2a

**4 - DASHBOARD**

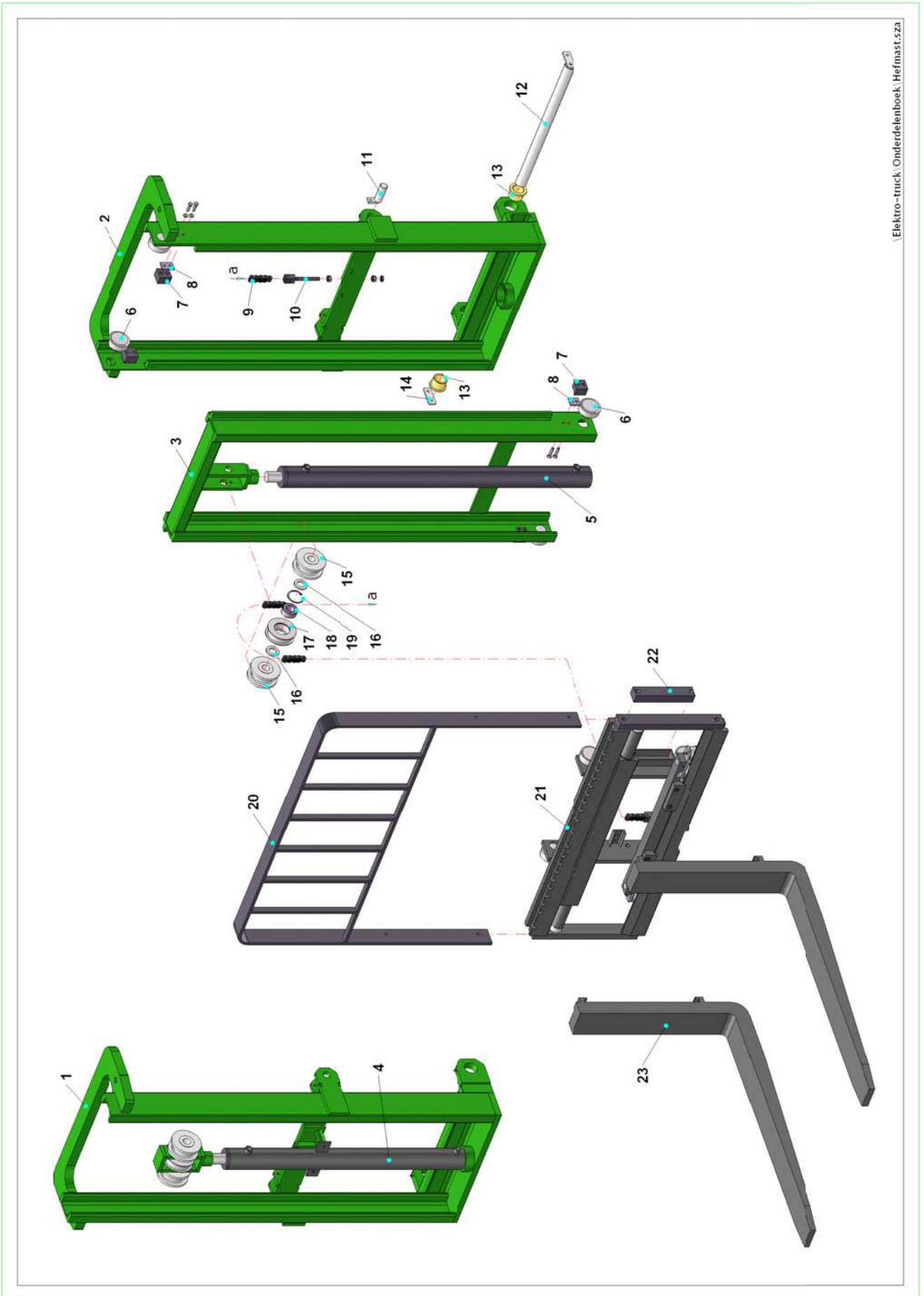
<b>Pos.no.</b>	<b>Quantity</b>	<b>Description</b>	<b>Parts number</b>
1	1	Cover steering wheel	P12.13031
2	1	Steering knob	P12.13030.1
3	1	Steering wheel	P12.13030
4	1	Forward / Reverse switch	P01.13027
5	1	Steering shaft	P02.2002
6	1	Power steering valve OH40500V44 + Priority valve	PE.2005
7	1	Knob 'Lift'	PA.150122
8	1	Knob 'Tilt'	PA.150123
9	1	Knob 'Side-shift'	PA.150124
10	1	Knob 'Auxiliary'	PA.150124
11	1	Handle 'Lift'	P80.2096
12	1	Handle 'Tilt'	P80.2094
13	1	Handle 'Side-shift'	P80.2092
14	1	Handle 'Auxiliary'	P80.2090
15	4	Handle rod	PE.1120
16	1	4-handle Valve block SD/4	P02.220004.5
17	1	Battery indicator en hour meter 48V	P01.0250.1
18	1	Switch	P01.0014.1
19	1	Switch Accumulator (option)	P01.0014.1
20	1	Switch Illumination front (option)	P01.0014.1
21	1	Switch Illumination rear (option)	P01.0014.1
22	1	Handle support	PE.1087
23	1	Dashboard	PE.0028
24	1	Starter switch + key	K3BA-55-1325
25	1	Starting indicator	PE.1085
26	1	Insert globe 48V 2.5W	P01.0133



Elektro-truck \Onderdelenboek Handrem.sza



**5 - PARKING BR**



Elektro-truck | Onderdelenboek | Hefmast.sza



**6 - MAST**

<b>Pos.no.</b>	<b>Quantity</b>	<b>Description</b>	<b>Parts number</b>
1	1	Mast Single 1380mm	PE.4000
2	1	Outer Mast Double 1780mm	PE.4040
3	1	Inner Mast Double 1780mm	PE.4030
4	1	Lift cylinder 1380mm single mast	PE.0150
5	1	Lift cylinder 1380mm double mast	P02.5004
6	4	Mast bearing	P15.0032
7	4	Gliding block mast	PA.12.4.13
8	4	Fill plate mast	P80.0122
9	1	Lifting chain BL544	PA.100110
10	1	Stopper BL544 complete	PA.100110.3
11	2	Locking pin tilt cylinder / mast	P80.107
12	1	Axle mast	PE.0066
13	2	Plain bearing	PA.100800
14	1	Locking plate mast axle	PE.0066.1
15	2	Hydraulic hoses sheave	PA.12.4.5
16	2	Washer M24	P03.11.24.00
17	1	Chains sheave	PA.12.4.4
18	1	Mast bearing 3205-2RS1	L.3205.2RS
19	1	Seegerring gat 52x2	P03.18.J52.00
20	1	Back rest	P80.1052
21	1	Fork carriage + Side-shifter	P80.1050
22	2	Gliding block fork carriage	PA.100910
23a	2	Fork L= 1000mm	V100x35x10002
23b	2	Fork L= 1100mm	V100x35x11002
23c	2	Fork L= 1200mm	V100x35x12002

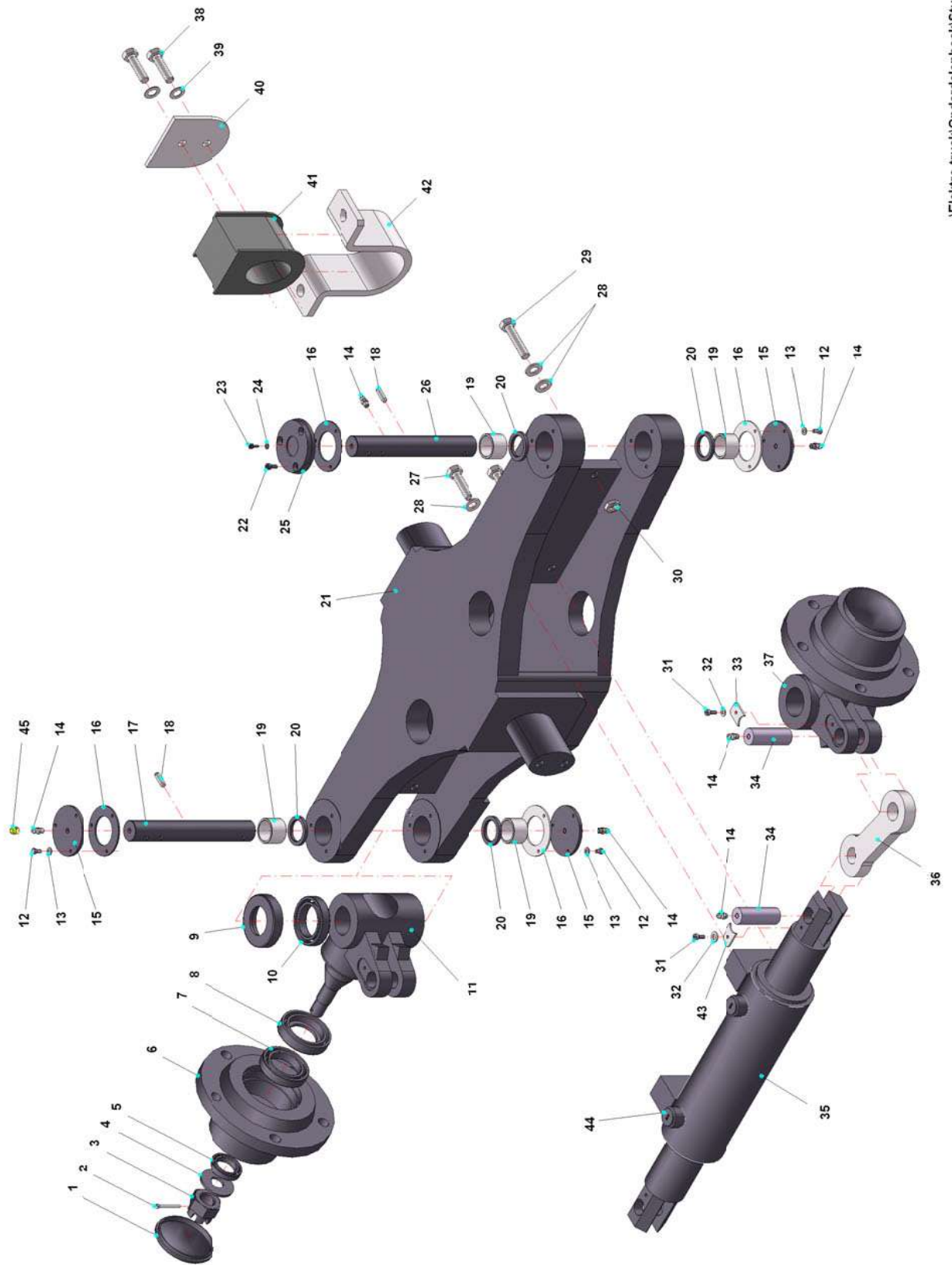
<b>Pos.no.</b>	<b>Kit</b>	<b>Parts number</b>
	Kit Lift cylinder 1380mm single mast	PE.0150.1
	Kit Lift cylinder 1380mm double mast	P02.5004.1



**7 - SIDE-SHIFT**

Pos.no.	Quantity	Description	Parts number
1	1	Mobile frame	101230056CBO
2	1	Fixed frame	101220436CBO
3	2	Upper pad	101230420CBO
4	2	Stake pad	101230421CBO
5	4	Mast bearing	P15.0032
6	2	Greaser	47065007BO
7	2	Seal	41041326BO
8	2	Rod slide	101230003CBO
9	2	Scraper	41041327BO
10	2	Elastic ring	42038101BO
11	2	Cylinder rod	101230004CBO
12	2	Pin	101230035ZBO
13	2	Greaser	47065001BO
14	2	Greaser	47065006BO
15	2	Upper balance	101230030ZBO
16	4	Roller pin	101230029ZBO
17	4	Roller	40033053BO
18	2	Lower balance	101230031ZBO
19	4	Elastic pin	46063017BO
20	2	Lower hook	101230198CBO
21	4	Screw	44046501BO
22	2	Plate BL544	PA.100110.1

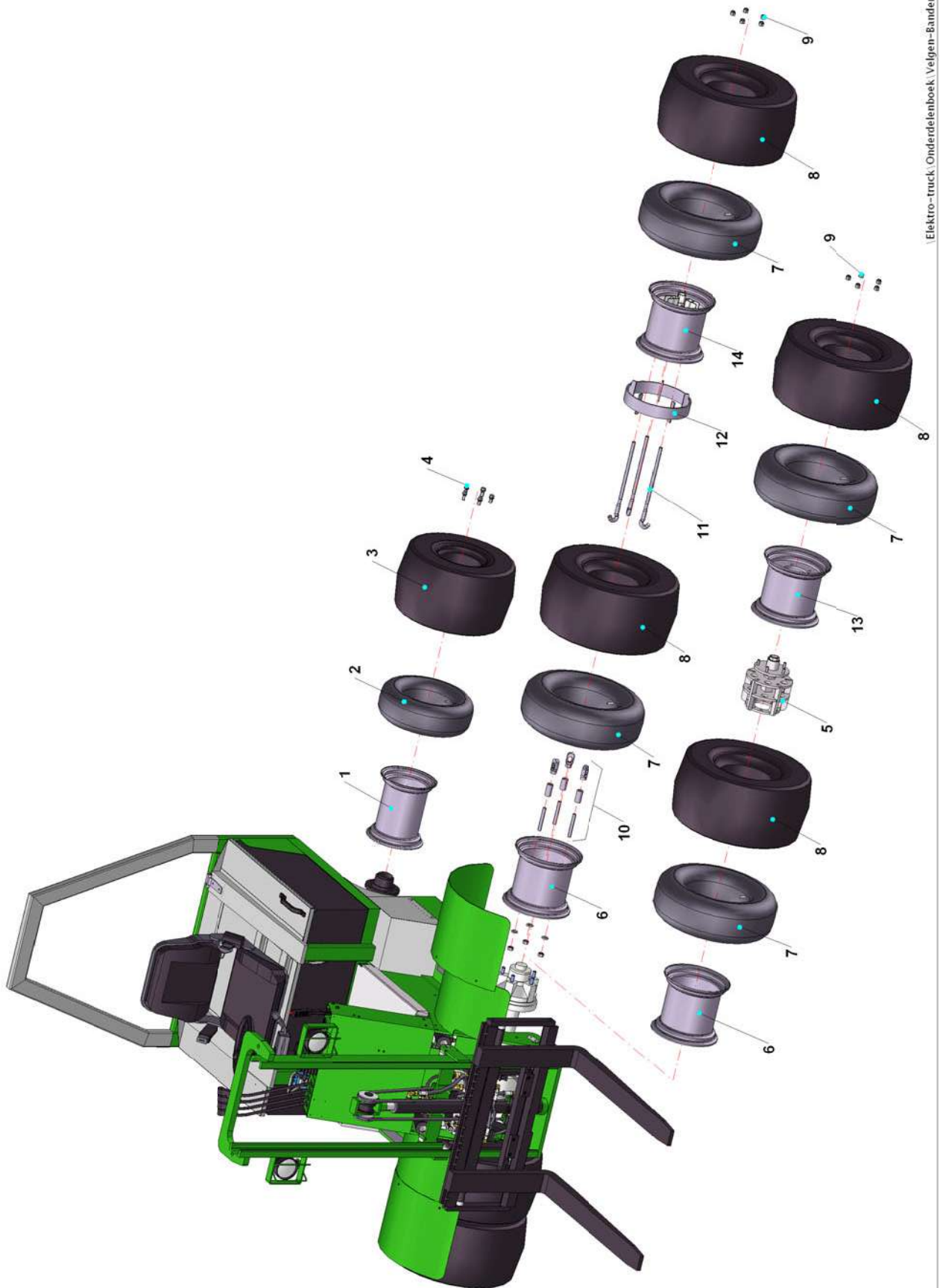
Pos.no.	Kit	Parts number
	Side-shift complete	P80.1050
12-19	RH Boogie	141230032CBO
12-19	LH Boogie	141230033CBO



**8 - STEERING AXLE**

Pos.no.	Quantity	Description	Parts number
1	2	Cap	P80.2020
2	2	Cotter pin	P80.2021
3	2	Nut M24x2	P80.2022
4	2	Washer	P80.2023
5	2	Bearing	P80.2024
6	2	Hub	P80.2025
7	2	Bearing	P80.2026
8	2	Throw ring	P80.2027
9	2	Dust cap	P80.2028
10	2	Bearing	P80.2029
11	1	Stub axle left	P80.2030
12	9	Screw M5x16	P80.2031
13	9	Washer	P80.2032
14	6	Grease nipple M6	P80.2033
15	3	Cap	P80.2034
16	4	Gasket	P80.2035
17	1	Swivel pin left	P80.2036
18	2	Pin	P80.2037
19	4	Bearing	P80.2038
20	4	Seal ring	P80.2039
21	1	Frame steering axle	P80.2040
22	3	Screw	P80.2041
23	1	Shaft	P80.2042
24	1	Nut M6	P80.2043
25	1	Support washer	P80.2044
26	1	Swivel pin right	P80.2045
27	4	Bolt M12x35	P80.2046
28	8	Washer M12	P80.2047
29	2	Bolt M12x50	P80.2048
30	2	Nut M12	P80.2049
31	4	Screw M6x14	P80.2050
32	4	Washer	P80.2051
33	2	Keeper plate swivel	P80.2052
34	2	Pin steering cylinder	P80.2053
35	1	Steering cylinder	P80.2054
36	2	Connection rod swivel	P80.2055
37	1	Swivel right	P80.2056
38	4	Bolt M10x25	P80.2057
39	4	Washer	P80.2058
40	2	Keeper plate rubber	P80.2059
41	2	Damper steering axle	P80.2060
42	2	Support damper	P80.2061
43	2	Keeper plate cylinder	P80.2062
44	2	Plug	P80.2063
45	6	Cap greaser	P80.2064

Pos.no.	Kit	Parts number
1-44	Steering axle complete	P80.2002
38-42	Tilt axle kit steering axle	P80.2100
30-31; 35; 44	Cylinder kit steering axle	P80.2300
2-4; 9-11; 17-18	Swivel left complete	P80.2400
2-4; 9-10; 14; 18; 23-24; 26; 37	Swivel right complete	P80.2500
1; 5-8	Hub complete	P80.2600
14; 31-34; 36; 43	Connecting rod kit	P80.2700



Elektro-truck | Onderdelenboek | Volgen-Banden.sza



**9 - WHEELS AND RIMS**

<b>Pos.no.</b>	<b>Quantity</b>	<b>Description</b>	<b>Parts number</b>
1	2	Rear rim 23/12.50x12	PE.0035
2	2	Rear tube 23/12.50x12	P04.01212.8
3a	2	Rear tire 23/12.50x12 Block profile	P04.01212
3b	2	Rear tire 23/12.50x12 No profile	P04.01212.5
4	10	Wheel bolt	P80.1060.5
5	2	Rim Double-tire Elektro	PE.4015
6	2 / 4	Front rim 26/12.00x12	PE.0030
7	2 / 4	Front tube 26/12.00x12	P04.11206
8a	2 / 4	Front tire 26/12.00x12 Tractor profile	P04.01301
8b	2 / 4	Front tire 26/12.00x12 Block profile	P04.02013
8c	2 / 4	Front tire 26/12.00x12 No profile	P04.01303.1
9	10	Wheel nut	PA.100011
10	6	Ring nut for Double-tyre	P07.10500.6
11	6	Hook for Hook system Double-tyre	P07.10500.7
12	2	Rim Double-tyre	P80.0125
13	2	Front rim 4 holes 10.5x12	P80.0130
14	2	Front rim 26/12.00x12 Double-tyre	P04.31302

<b>Pos.no.</b>	<b>Kit</b>	<b>Parts number</b>
1 t/m 3	2	Rear tire 23/12.50x12 complete
6 t/m 8	2 / 4	Front tire 26/12.00x12 Block profile complete

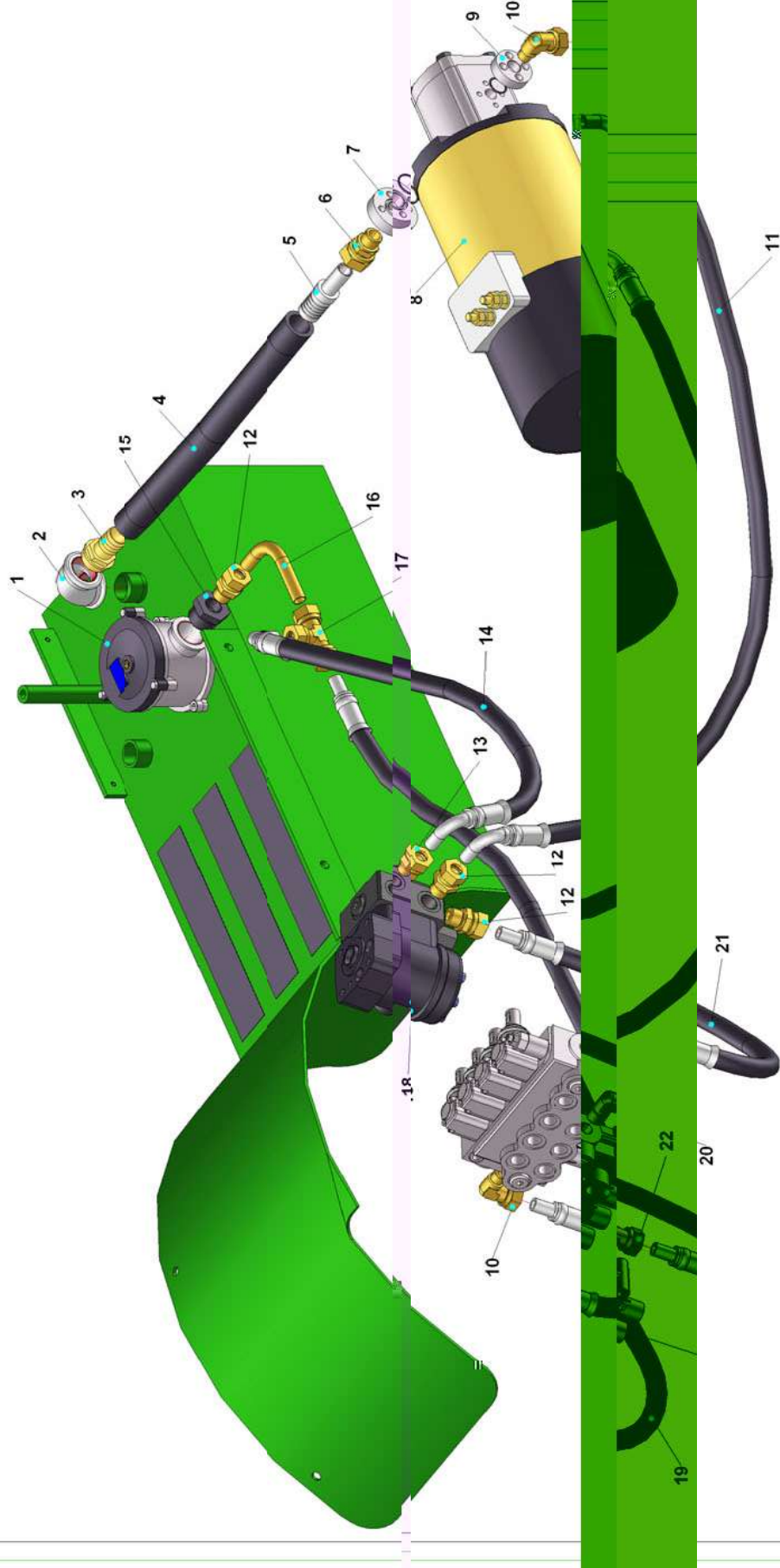


Elektro-truck \Onderdelenboek Hydrauliek-Stuurcilinder.sza



## **10 - HYDRAULICS STEERING CYLINDER**

<b>Pos.no.</b>	<b>Quantity</b>	<b>Description</b>	<b>Parts number</b>
1	1	Steering cylinder	P80.2054
2	2	Copper washer 14x20x1,5	P12.0387
3	2	Nipple 1/4-1/4	P2.224404040
4	1	Hydraulic hose Steering cylinder right – Steering valve	PE.0085
5	1	Hydraulic hose Steering cylinder left – Steering valve	PE.0086
6	2	Coupling 12mm	P2.138101000
7	1	Steering pipe left	PE.0087
8	1	Steering pipe right	PE.0088
9	1	Nipple 3/8-12	P2.116652000
10	1	Nipple 3/8-12-90°	P2.116151000
11	1	Steering valve OH40500V44 + Priority valve	PE.2005



**11 - HYDRAULICS HYDRO PUMP**

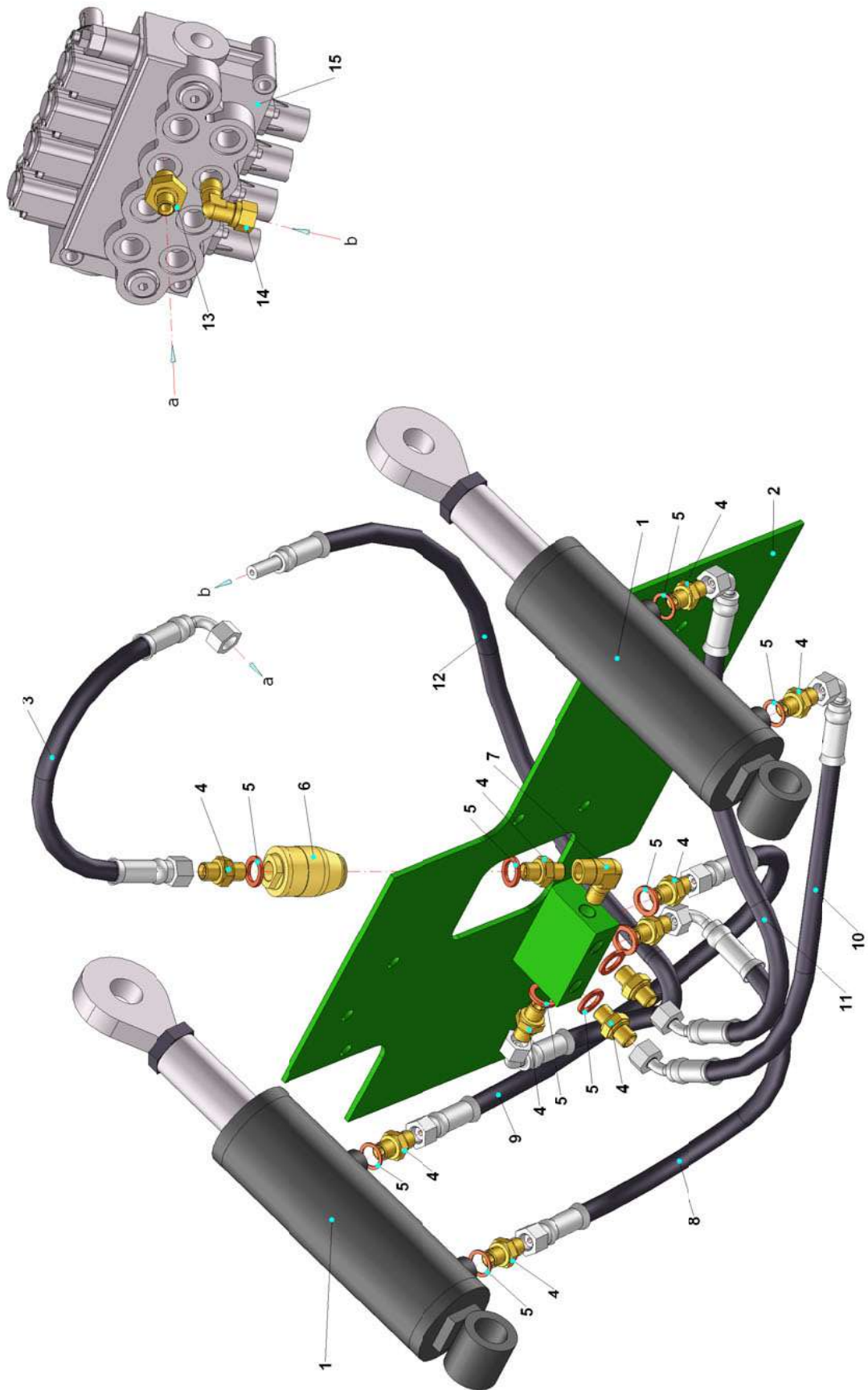
Pos.no.	Quantity	Description	Parts number
1	1	Filter element MPF 100/2-A-G3-P25-NBS	PA.150102
2	1	Elbow G1" bi-bi	P02.0160
3	1	Brass hose pillar	P03.00061
4	1	Hydraulic hose	P2.051116000
5	1	Adaptor steering pump	P80.2220
6	1	Nipple 1/2-18	GE18LREDGE
7	1	Flange Hydro pump 2DF08	PA.150104
8	1	Hydro pump + Electromotor 2kW 17cc	PE.2207 Y/I
9	1	Flange Hydro pump 1DF38	PA.15.3.4
10	1	Nipple 3/8-15-90°	P2.11212007
11	1	Hydraulic hose Hydro pump – Steering valve	PE.0089
12	3	Nipple 1/2-15-recht	P2.110201000
13	1	Nipple 3/8-15-recht	GE15PLR3/8
14	1	Hydraulic hose Hydraulic filter – Steering valve	PE.0090
15	1	Coupling 1" / ½"	PE.0091
16	1	Hydraulic pipe	PE.0092
17	1	T-connection 15mm	P2.134201000
18	1	Steering valve OH40500V44 + Priority valve	PE.2005
19	1	Hydraulic hose Hydraulic filter – Valve block	PE.0093
20	1	4-handle Valve block SD/4	P02.220004.5
21	1	Hydraulic hose Steering valve – Valve block	PE.0094
22	1	Nipple 1/2-15-90°	P2.116201000





**12 - HYDRAULICS LIFTING**

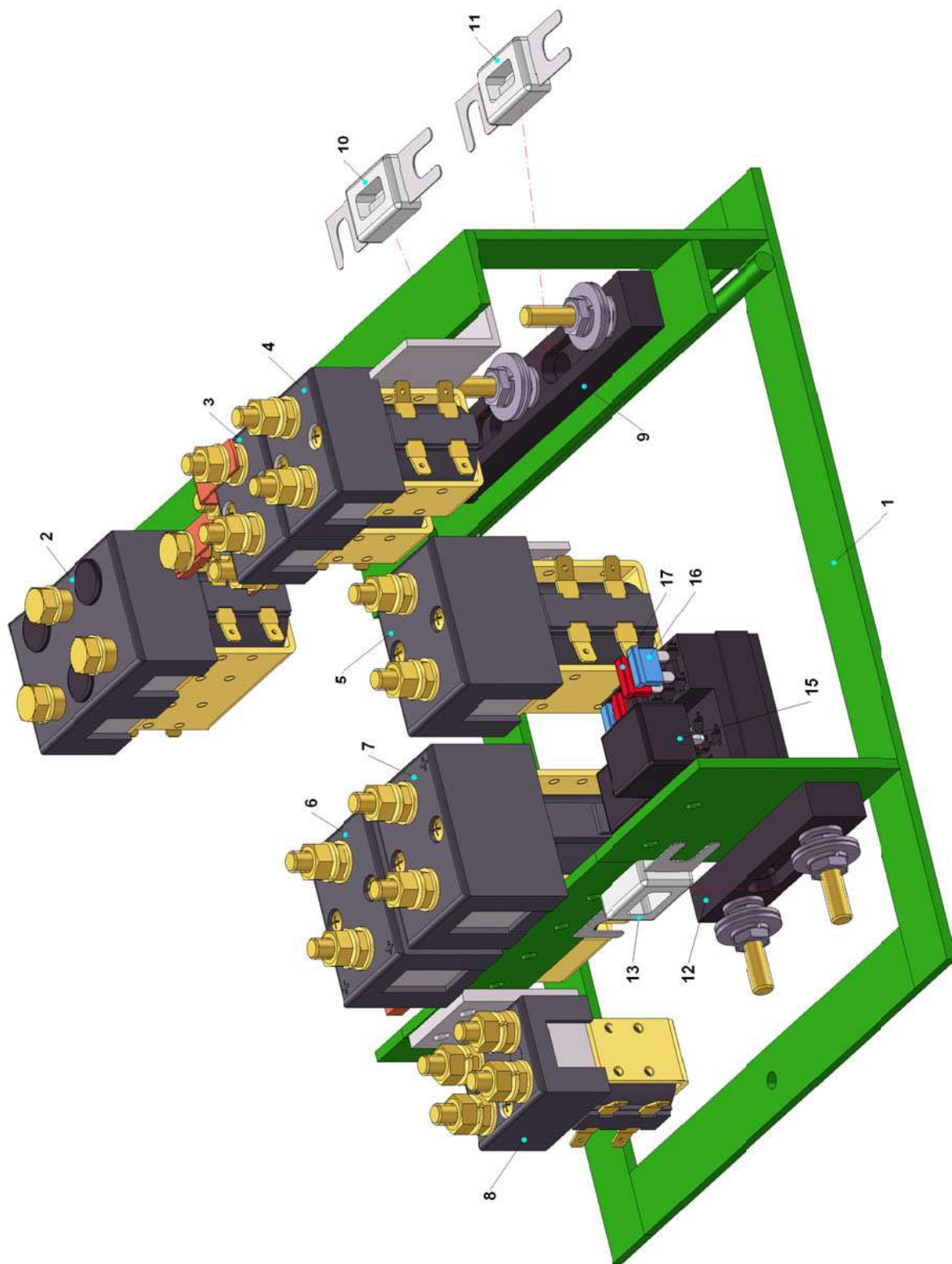
Pos.no.	Quantity	Description	Parts number
1	2	Nipple 3/8-12-90°	P2.116151000
2	1	Hydraulic hose Lift cylinder top – Valve block	PE.0095
3	1	Hydraulic hose Accumulator – Valve block	PE.0096
4	1	Accumulator 20 BAR inclusive support	H1000R20BAR
5	1	Adaptor 3/8-M18x1,5	P2.228418060
6	4	Copper washer 21x28x2	R21x28x2
7	1	Electric valve 12V	PE.0048
8	1	Nipple 3/8-15	P2.110152000
9	1	Hydraulic pipe	P02.0504
10	1	T-connection 15mm	P2.134201000
11	1	Hydraulic hose Accumulator – Lift cylinder under	PE.0097
12	1	Nipple 1/2-12	P2.110671000
13	1	Safety valve	P02.0065
14	1	Nipple 1/2-3/8	P2.224406080
15	1	Nipple 3/8-3/8-90°	P2.865706060
16	1	Hydraulic hose Auxiliary 1	PE.0098
17	1	Hydraulic hose Auxiliary 2	PE.0099
18	1	Hydraulic hose Side-shift 1	PE.0100
19	1	Hydraulic hose Side-shift 2	PE.0101
20	2	Adaptor 6-M14-C870-MXS	P2.26260614
21	2	Coupling 10mm	P2.137101000
22	1	Hydraulic pipe Auxiliary 1	PE.0102
23	1	Hydraulic pipe Auxiliary 2	PE.0103
24	2	Nipple 3/8-10	P2.110102000
25a	2	Coupling 3/8 female	P2.940106000
25b			



Elektro-truck \ Onderdelenboek \ Hydrauliek - Neigcilinders.sza

**13 - HYDRAULICS TILTING**

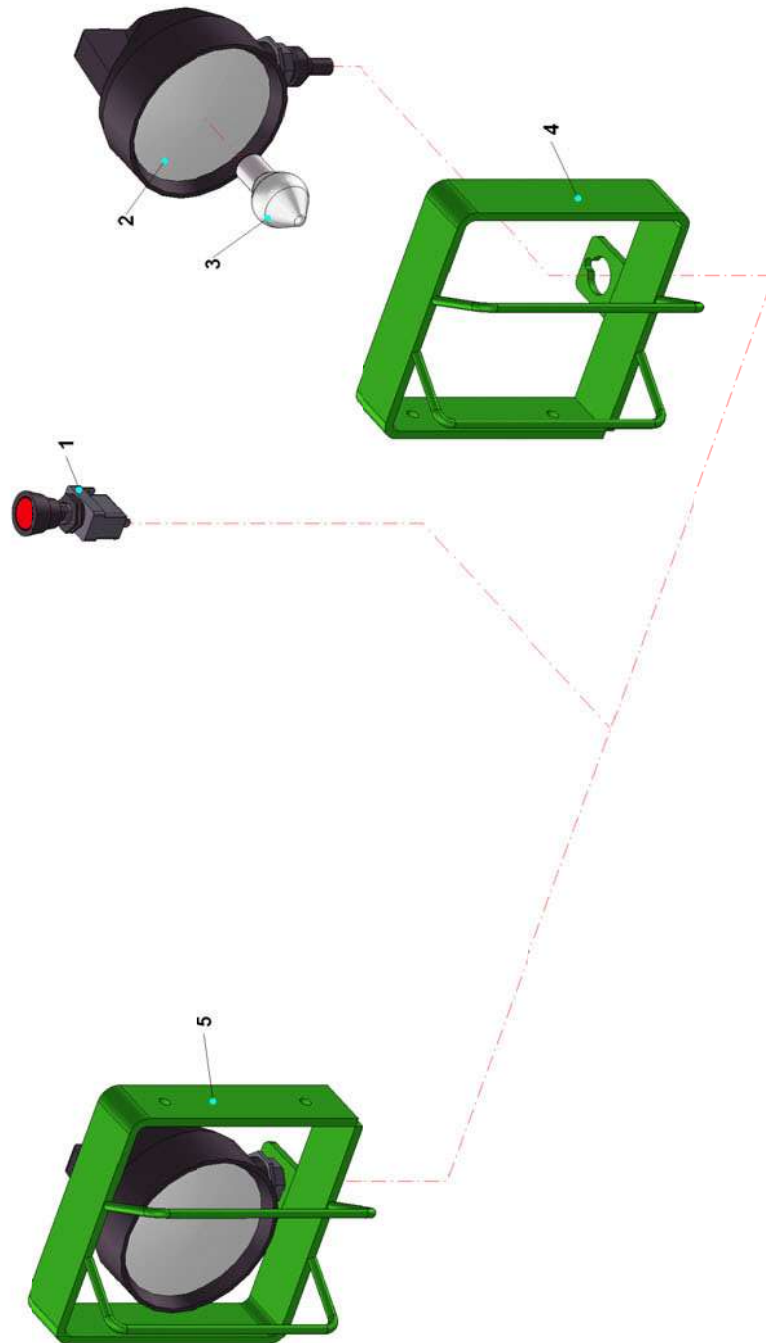
<b>Pos.no.</b>	<b>Quantity</b>	<b>Description</b>	<b>Parts number</b>
1	2	Tilt cylinder Boxer complete	P80.2070
2	1	Front plate	PE.0027
3	1	Hydraulic hose Adaptor block 1 – Valve block	PE.0104
4	11	Nipple 1/4-1/4	P2.224404040
5	11	Copper washer	P12.0387
6	1	Flow control valve	P02.220009.1
7	1	Knee 3/4	P2.865706060
8	1	Hydraulic hose Tilt cylinder left rear	PE.0105
9	1	Hydraulic hose Tilt cylinder left front	PE.0106
10	1	Hydraulic hose Tilt cylinder right rear	PE.0107
11	1	Hydraulic hose Tilt cylinder right front	PE.0108
12	1	Hydraulic hose Adaptor block 2 – Valve block	PE.0109
13	1	Nipple 3/8-1/4	P2.224404060
14	1	Nipple 3/8-10-90°	P2.116121000
15	1	4-handle Valve block SD/4	P02.220004.5



Elektro-truck \ Onderdelenboek, Elektrorekiye.sza

**14 - ELECTRO RACK**

<b>Pos.no.</b>	<b>Quantity</b>	<b>Description</b>	<b>Parts number</b>
1	1	Electro rack	PE.1103
2	1	Forward/Reverse Relay 48V	DC88B/306T
3	1	Brake Relay 48V	SW84B-177T
4	1	By-pass Relay 48V	SW80B/552
5	1	Pump Relay 48V	SW180B/361
6	1	High/Low Relay SW181 48V	SW181QT
7	1	High/Low Relay SW180 48V	KSV828-46906
8	1	Relay 48V 80A 4-poule	PE.0082
9	1	Fuse holder	PE.1086
10	1	Fuse 250A	P01.0078
11	1	Fuse 200A	P01.0077
12	1	Fuse holder	PE.1086
13	1	Fuse 35A	P01.0188
14	2	Relay holder	P80.2801
15	2	Relay 24V	P01.0137
16	2	Insert fuse 15A	-
17	2	Insert fuse 10A	-





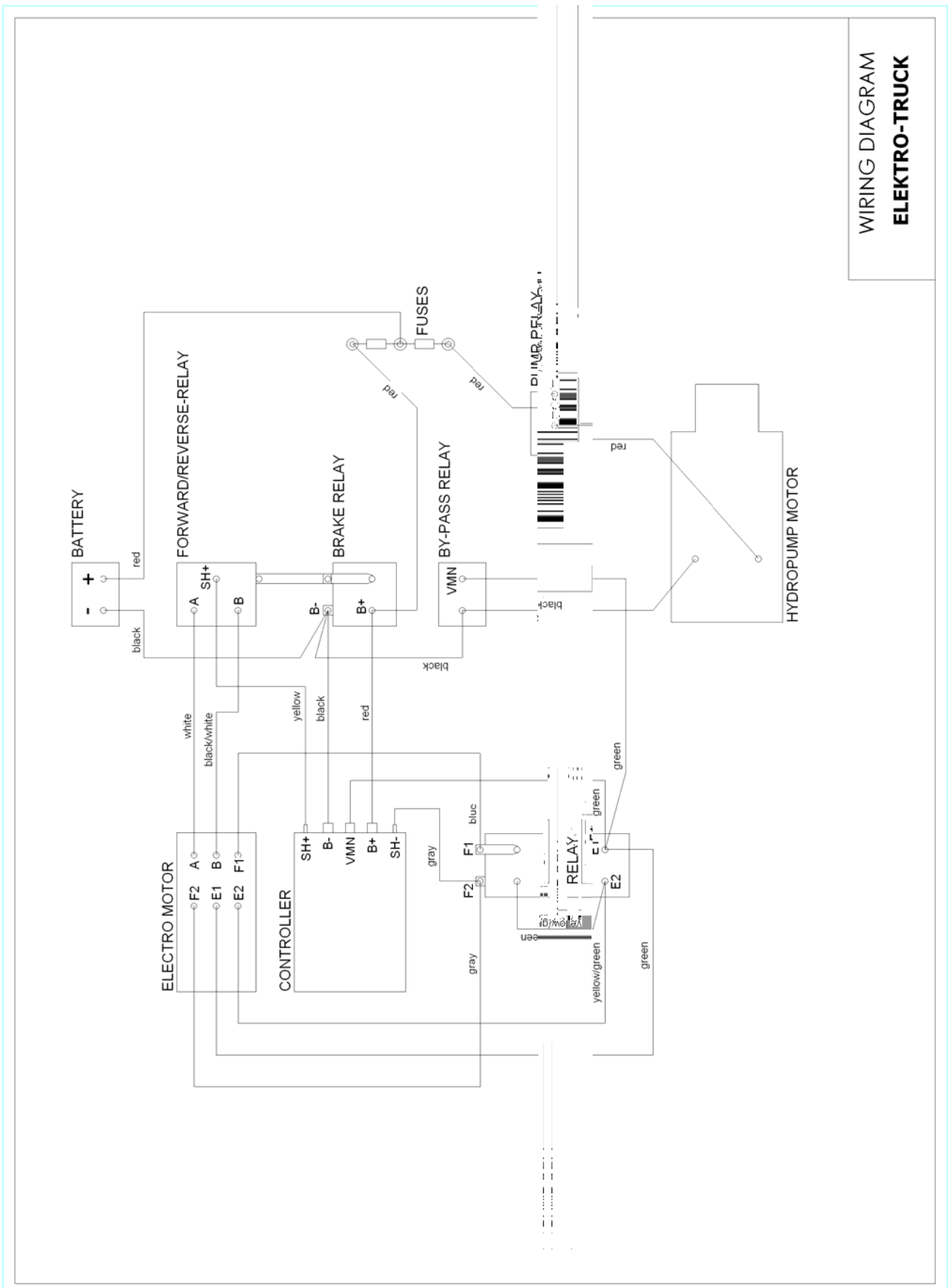
## **15 - ILLUMINATION**

---

<b>Pos.no.</b>	<b>Quantity</b>	<b>Description</b>	<b>Parts number</b>
1	1	Switch	P01.0014.1
2	2	Head lamp complete	P01.13030
3	2	Globe head lamp	4304427TP
4	1	Support head lamp left	P80.0057
5	1	Support head lamp right	P80.0058



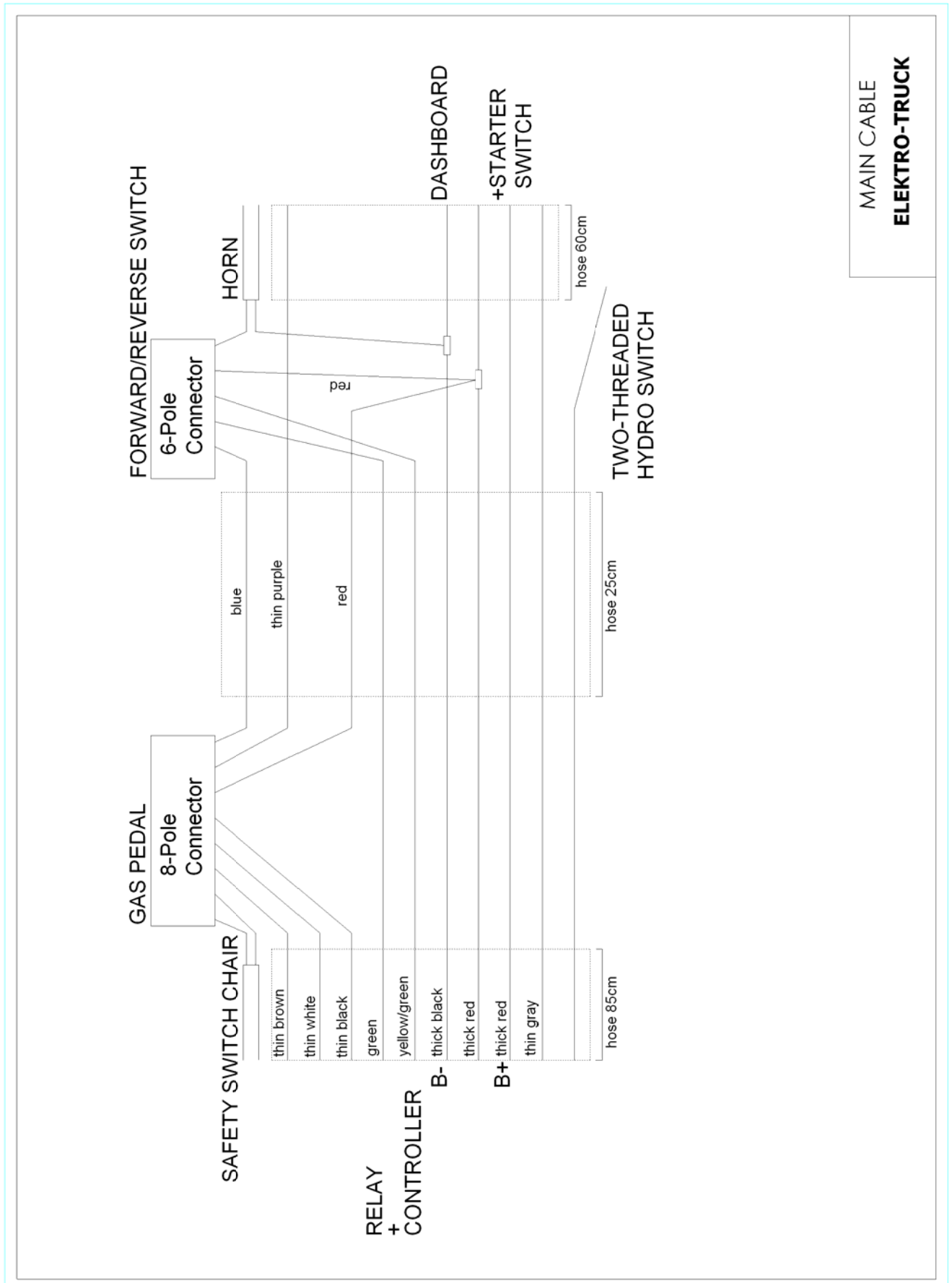
**ATTACHMENT 1 – WIRING DIAGRAM**



WIRING DIAGRAM  
**ELEKTRO-TRUCK**



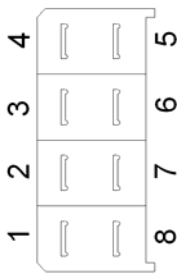
# ATTACHMENT 2 – MAIN CABLE






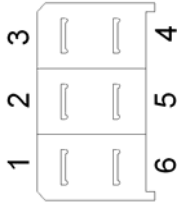
ATTACHMENT 3 – CONNECTORS

MAIN CABLE  
GAS PEDAL



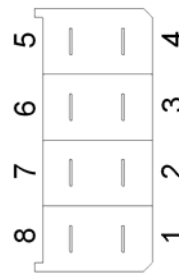
- 1 Brown
  - 2 Black
  - 3 White
  - 4 \
  - 5 /
  - 6 Purple
  - 7 Blue
  - 8 Red
- 2-threaded Chair safety switch
- 

MAIN CABLE  
FORWARD/REVERSE  
SWITCH



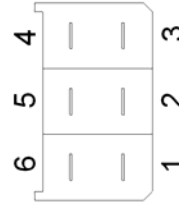
- 1 Green
- 2 Blue
- 3 Yellow/Green
- 4 Red +
- 5 2-threaded Horn
- 6 (empty)

GAS PEDAL



- 1 Brown
- 2 Black
- 3 White
- 4 Blue
- 5 \
- 6 Connected
- 7 /
- 8 Gray

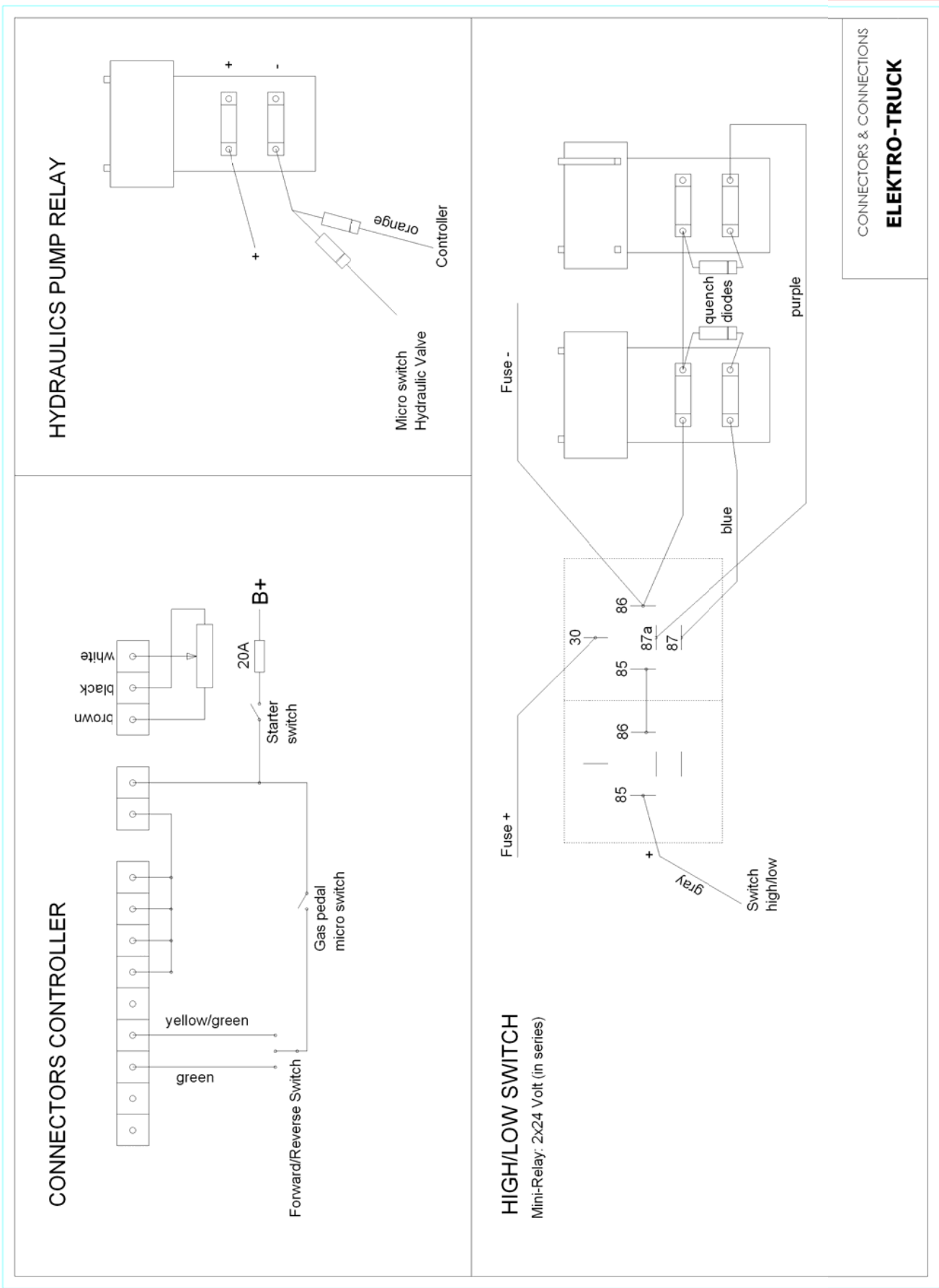
FORWARD/REVERSE  
SWITCH



- 1 Brown
- 2 Black
- 3 White
- 4 White/Blue
- 5 Yellow/Brown
- 6 (empty)

CONNECTORS  
ELEKTRO-TRUCK

ATTACHMENT 4 – CONNECTORS & CONNECTIONS



CONNECTORS & CONNECTIONS  
**ELEKTRO-TRUCK**

ATTACHMENT 5 – CONNECTIONS LAMPS

