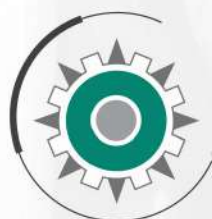


Parts Book **BOXER II**



Prins Maasdijk

INDEX

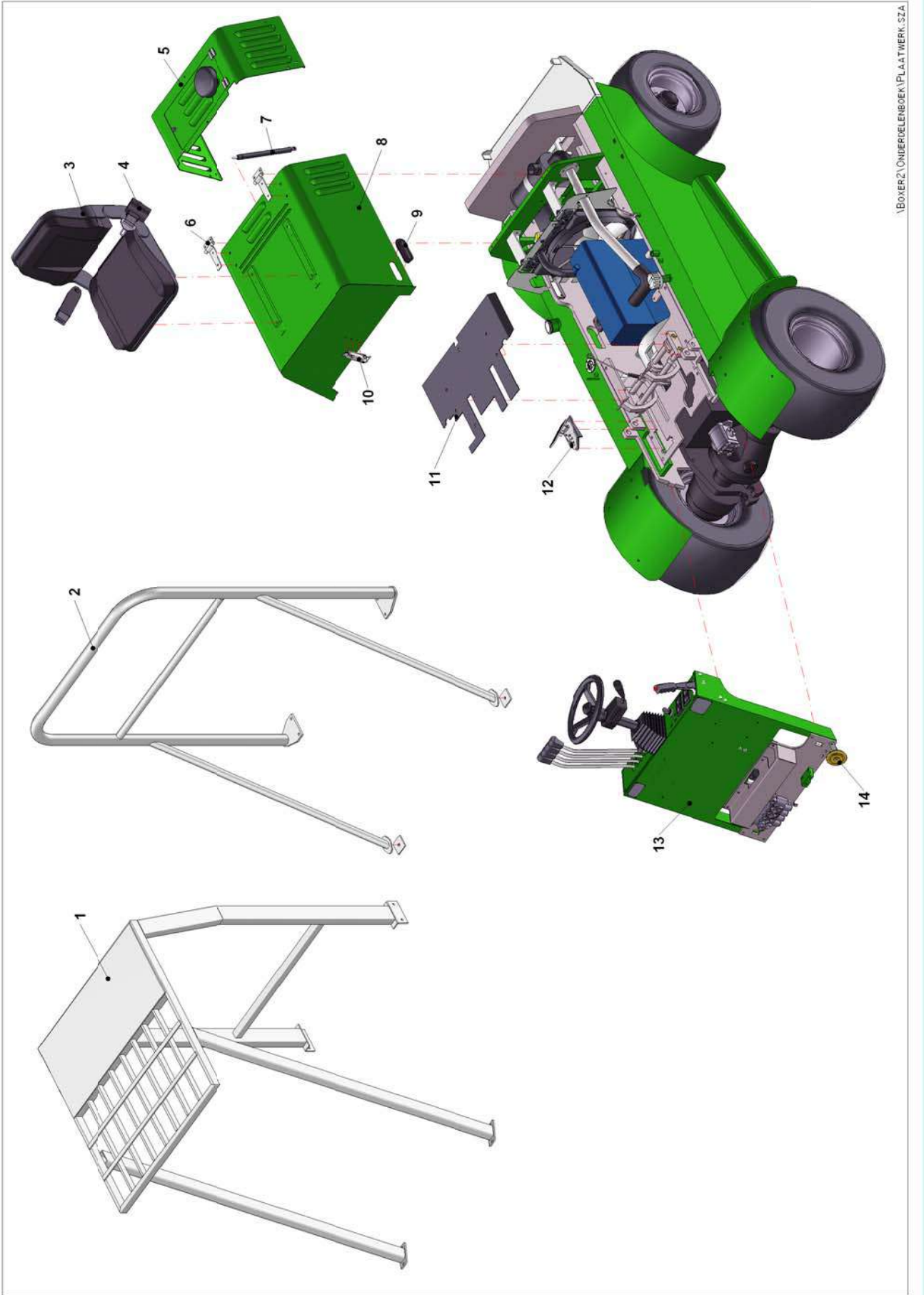
	<i>Page</i>
REMARKS	3
1 - OUTER PANEL	5
2 - MOUNTING POWER UNIT	7
3 - POWER UNIT COMPLETE.....	9
4 - EXHAUST SYSTEM INLET	11
5 - EXHAUST SYSTEM OUTLET	13
6 - FUEL SYSTEM	15
7 - GAS CONNECTION.....	17
8 - PEDAL SET.....	19
9 - BRAKE PIPING	21
10 - DASHBOARD	23
11 - PARKING BRAKE	25
12 - MAST	27
13 - SIDE-SHIFT	29
14 - MOUNTING STEERING AXLE AND COUNTERWEIGHT	31
15 - STEERING AXLE	33
16 - WHEELS AND RIMS	35
17 - HYDRAULICS HYDRO PUMP LIFTING.....	37
18 - HYDRAULICS HYDRO PUMP KUBOTA	39
19 - HYDRAULICS LIFTING	41
20 - HYDRAULICS TILTING.....	43
21 - HYDRAULICS STEERING CYLINDER.....	45
22 - HYDRAULICS STEERING VALVE / VALVE BLOCK	47
23 - ACCUMULATOR (OPTION).....	49
24 - ILLUMINATION (OPTION) & MAIN CABLING	51
25 - BRAKES	53

REMARKS

- If you want to order some parts please use this parts book.
- You must always mention the serial number of the truck which you can find on the identification label on the dashboard.
- Please mention the right parts number and description.
- Some parts are only available in assembly and have no parts number.
- This parts book can be changed without any information.

Prins Mechanisatie
Tuindersweg 37
2676 BD Maasdijk
Holland

Edition May, 2008

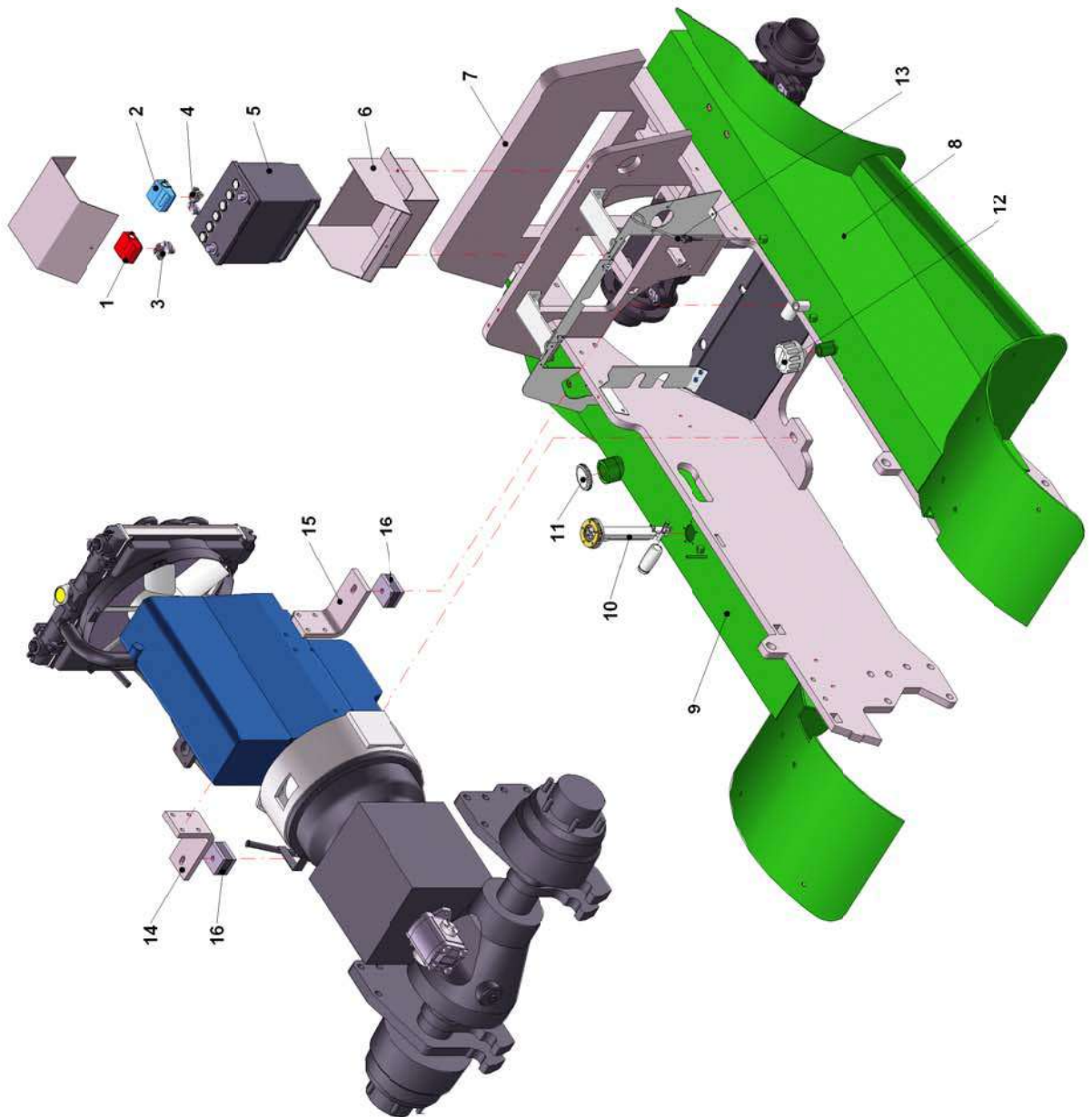


1\BOXER2\ONDERDELENBOEK\PLAATWERK_SZA



1 - OUTER PANEL

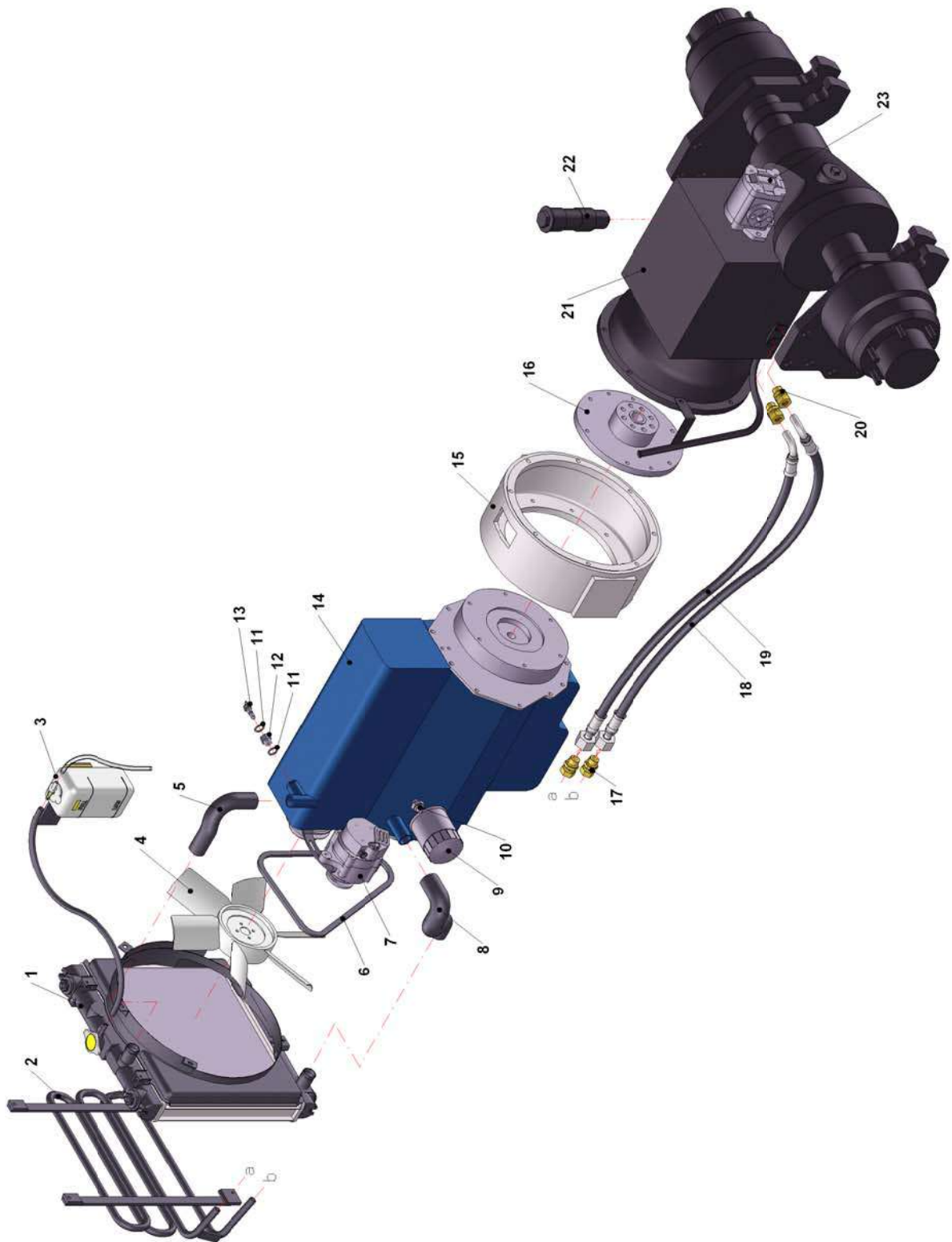
Pos.no.	Quantity	Description	Parts number
1	1	Safety guard	P80.1010
2	1	Safety bracket	P80.10151
3	1	Chair GS12 HT	P12.0109
4	1	Safety belt	P12.0615
5	1	Rear bonnet	P80.3001
6	2	Bonnet hinge	P80.1669
7	1	Bonnet damper	K3BA-50-41160
8	1	Bonnet	P80.4001
9	2	Bonnet grip	PA.150120
10	1	Bonnet lock	P12.0524
11	1	Base plate	P80.0092
12	1	Gas pedal	P12.220012
13	1	Dashboard	P80.600
14	1	Horn	P01.0191



\\Boxer2\ONDERDELENBOEK\MONTAGE-AANRIJING_SZA

**2 - MOUNTING POWER UNIT**

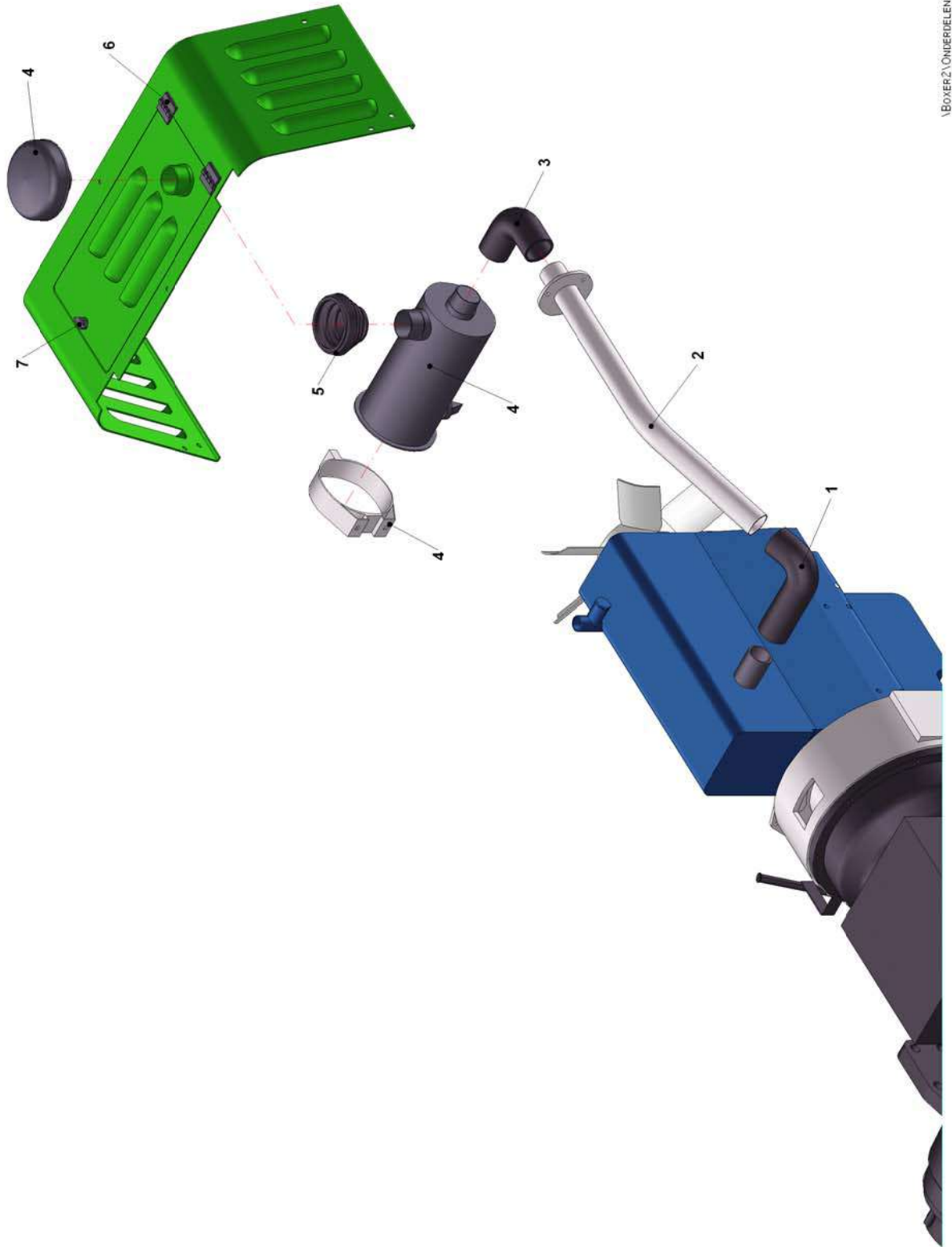
Pos.no.	Quantity	Description	Parts number
1	1	Cap battery clamp	P01.0058
2	1	Cap battery clamp	P01.0059
3	1	Battery clamp pos.	P01.0017
4	1	Battery clamp neg.	P01.0017.1
5	1	Battery	P01.54577
6	1	Battery carrier	P80.00381
7	1	Frame assembly Boxer II	P80.1000
8a	1	Hydraulic tank Boxer II small wheels	P80.2000
8b	1	Hydraulic tank Boxer II big wheels	P80.2001
9a	1	Fuel tank Boxer II small wheels	P80.1002
9b	1	Fuel tank Boxer II big wheels	P80.1001
10	1	Tank float VDO	P01.0007
11	1	Cap fuel tank B40	P12.0021
12	1	Cap hydraulic tank	P02.0153
13	1	Gauge oil level	19077.3641.0
14	1	Engine support outlet side	P80.00551
15	1	Engine support inlet side	P80.00561
16	2	Mounting rubber	P10.0012



I:\Boxer2\Onderdelenboek\Aandrijfuniteit-Koeling.sza

**3 - POWER UNIT COMPLETE**

Pos.no.	Quantity	Description	Parts number
1	1	Radiator	K483
2	1	Transmission cooler	P80.00001
3	1	Expansion tank	K294
4	1	Pushing fan	16299.7411.0
5	1	Upper water hose	1K522.7294.1
6	1	V-belt	16282.9701.0
7a	1	Dynamo 40A with bracket	K16286.64001
7b	1	Dynamo 60A with bracket	K16615.64001
8	1	Lower water hose	1K522.7285.1
9	1	Oil filter	16271.3209.0
10	1	Oil switch	15841.3901.0
11	2	Copper washer 16x22x1,5	P03.17.16.22
12	1	Adapter Temperature sender	P01.0601.5
13	1	Temperature sender	P01.0601
14	1	Engine Kubota V1505 BBS-EC-1	M.41505.0
15	1	Flywheel house V1505 / TXL-15	PA.100150
16	1	Flange	PA.12.3.3
17	2	Nipple 1/2-15	P2.110201000
18	1	Hydraulic hose 1 Transmission cooler - Transaxle	P80.701
19	1	Hydraulic hose 2 Transmission cooler - Transaxle	P80.702
20	2	Nipple GE15PL M22x1.5	GE15PLM22x1.5
21	1	Transaxle TXL-15	PA.100010
22	1	Oil filter Transaxle	G.3191403
23	1	Hydro pump 14.4cc	P80.0089

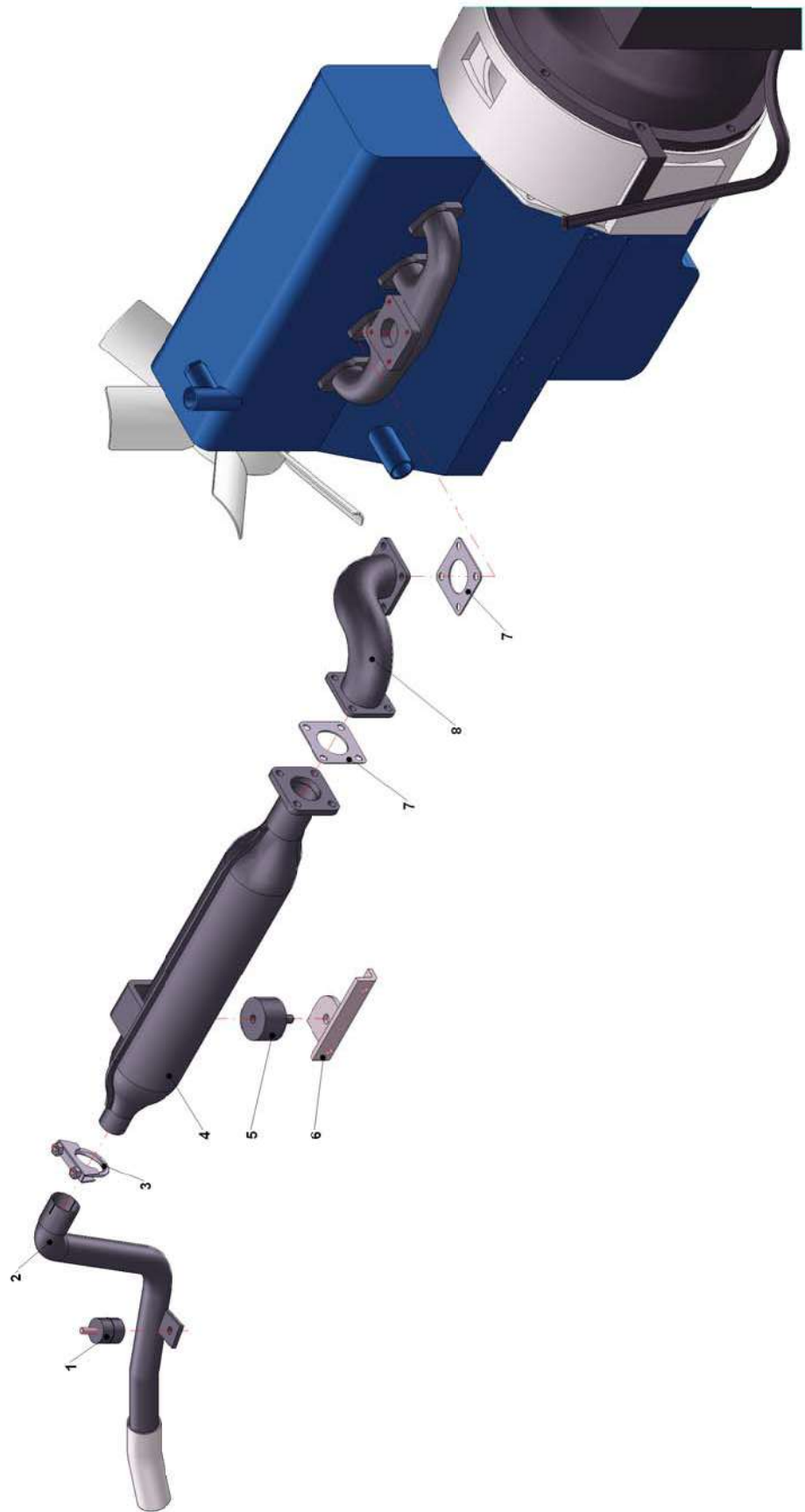


\\BOXER2\ONDERDELENBOEK\LUCHTHUISHOUDING-IN.52.4



4 - EXHAUST SYSTEM INLET

Pos.no.	Quantity	Description	Parts number
1	1	Pipe inlet manifold	P80.2082
2	1	Inlet pipe	P80.5101
3	1	Inlet pipe air cleaner	P80.2080
4	1	Air cleaner assembly	K16615.11001
5	1	Cover	V.103797
6	2	Hinge rear bonnet	P80.410
7	1	Clasp rear bonnet	P80.0800

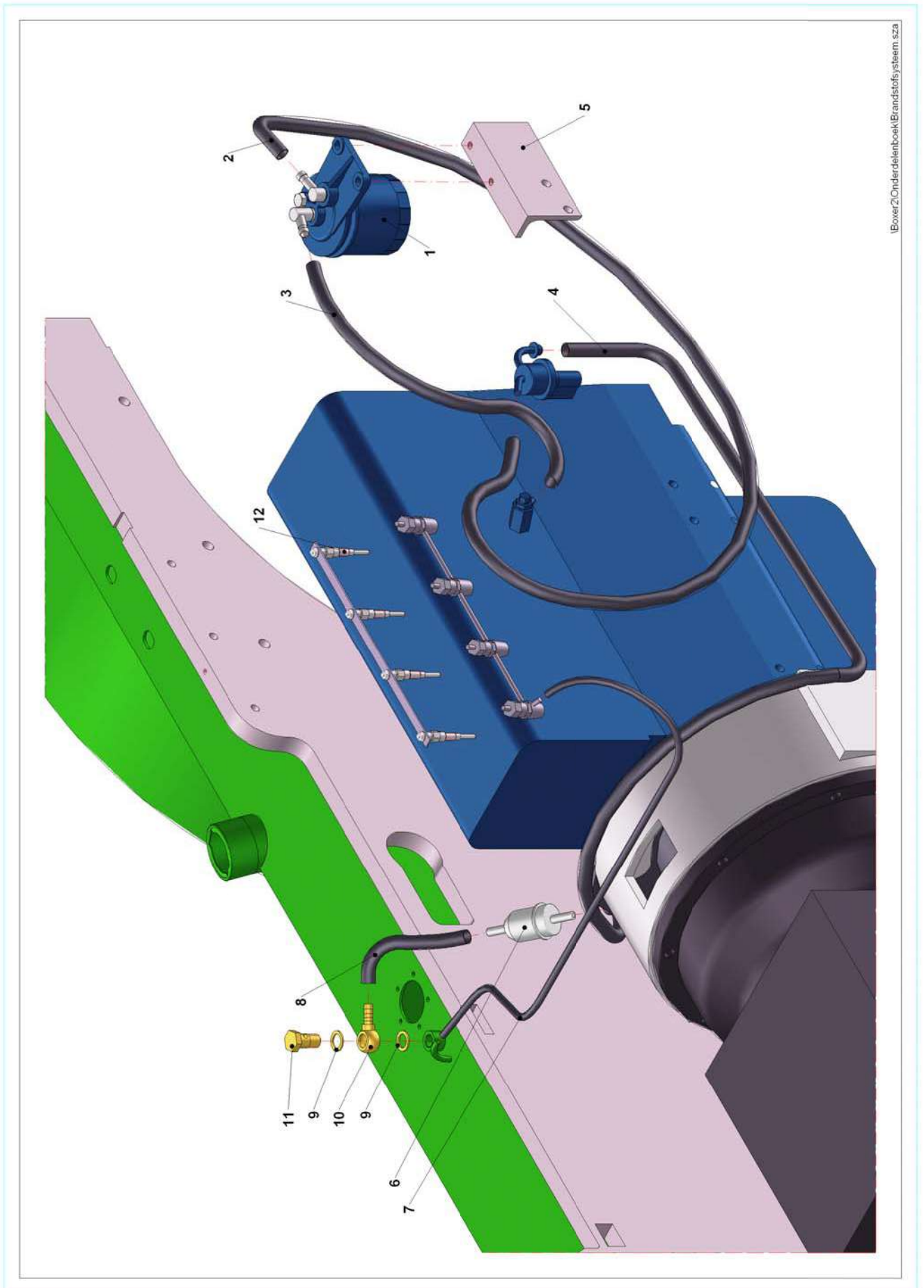


\\Bover2\Onderdelenboek\Luchthuishouding-Uitgaand.sza



5 - EXHAUST SYSTEM OUTLET

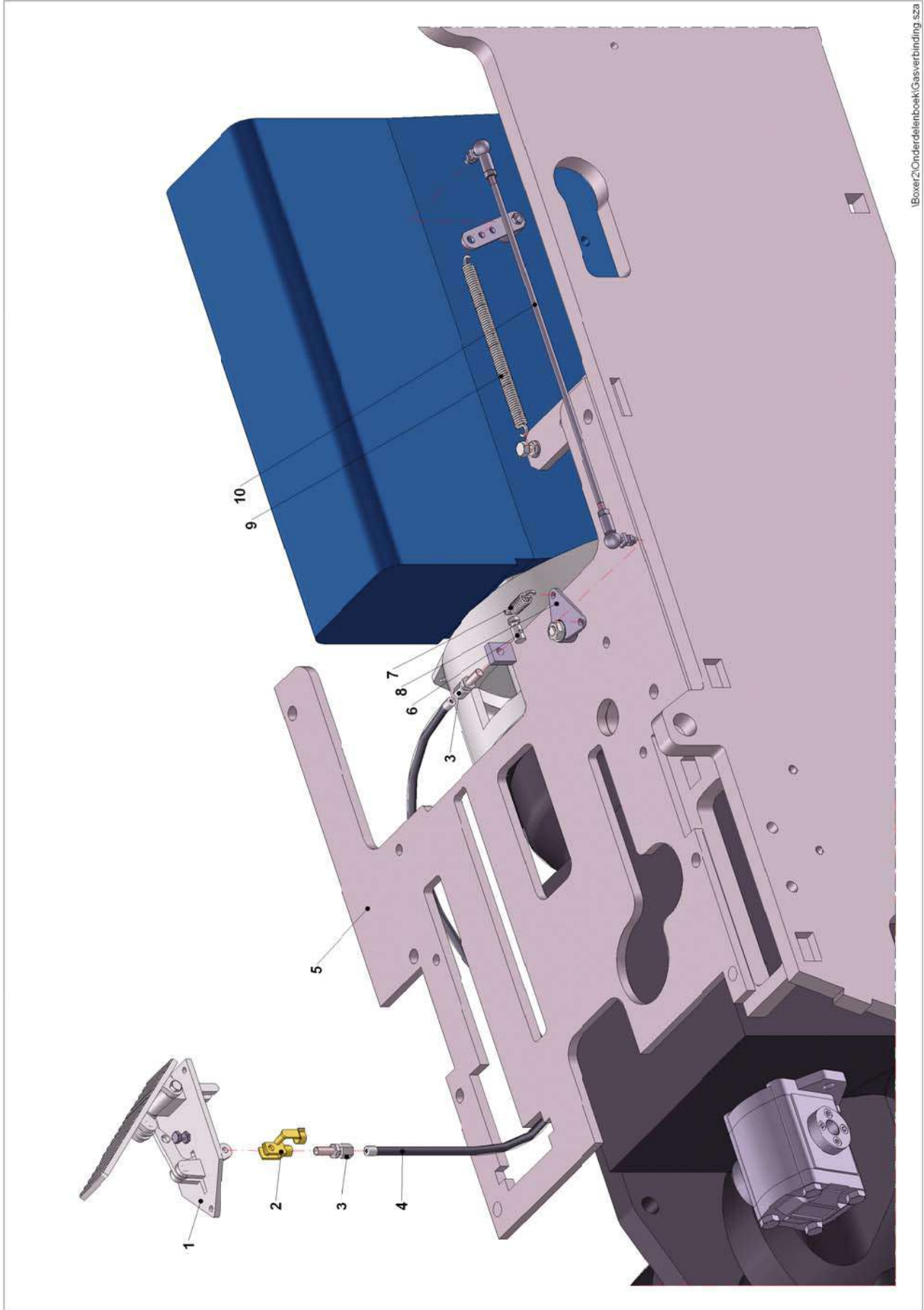
Pos.no.	Quantity	Description	Parts number
1	1	Mounting rubber	P10.0017.1
2	1	Muffler	P80.22001
3	1	Clamp 38mm	P12.0224
4	1	Muffler	P80.2202
5	1	Mounting rubber	P10.0012
6	1	Support muffler	P80.0067
7	2	Gasket muffler	15263.1237.0
8	1	Adapter muffler	P80.0039



IBover2/Onderdelenboek/Brandstofsysteem_sza

**6 - FUEL SYSTEM**

Pos.no.	Quantity	Description	Parts number
1	1	Fuel filter assy	16613.4300.0
2	1	Fuel pipe 8mm ins. l= 100mm	P12.0528
3	1	Fuel pipe 8mm ins. l= 55mm	P12.0528
4	1	Fuel pipe 8mm ins. l= 95mm	P12.0528
5	1	Support fuel filter	P80.00601
6	1	Fuel filter small FT-5167	P11.1030.1
7	1	Fuel pipe l= 60mm	19268.4252.0
8	1	Fuel pipe 8mm ins. l= 25mm	P12.0528
9	2	Copper washer 14x20x1,5	P12.0387
10	1	Banjo eye 1/4"	P2.102020404
11	1	Banjo bolt 1/4"	P2.226241200
12	4	Glow plug	16851.6551.0

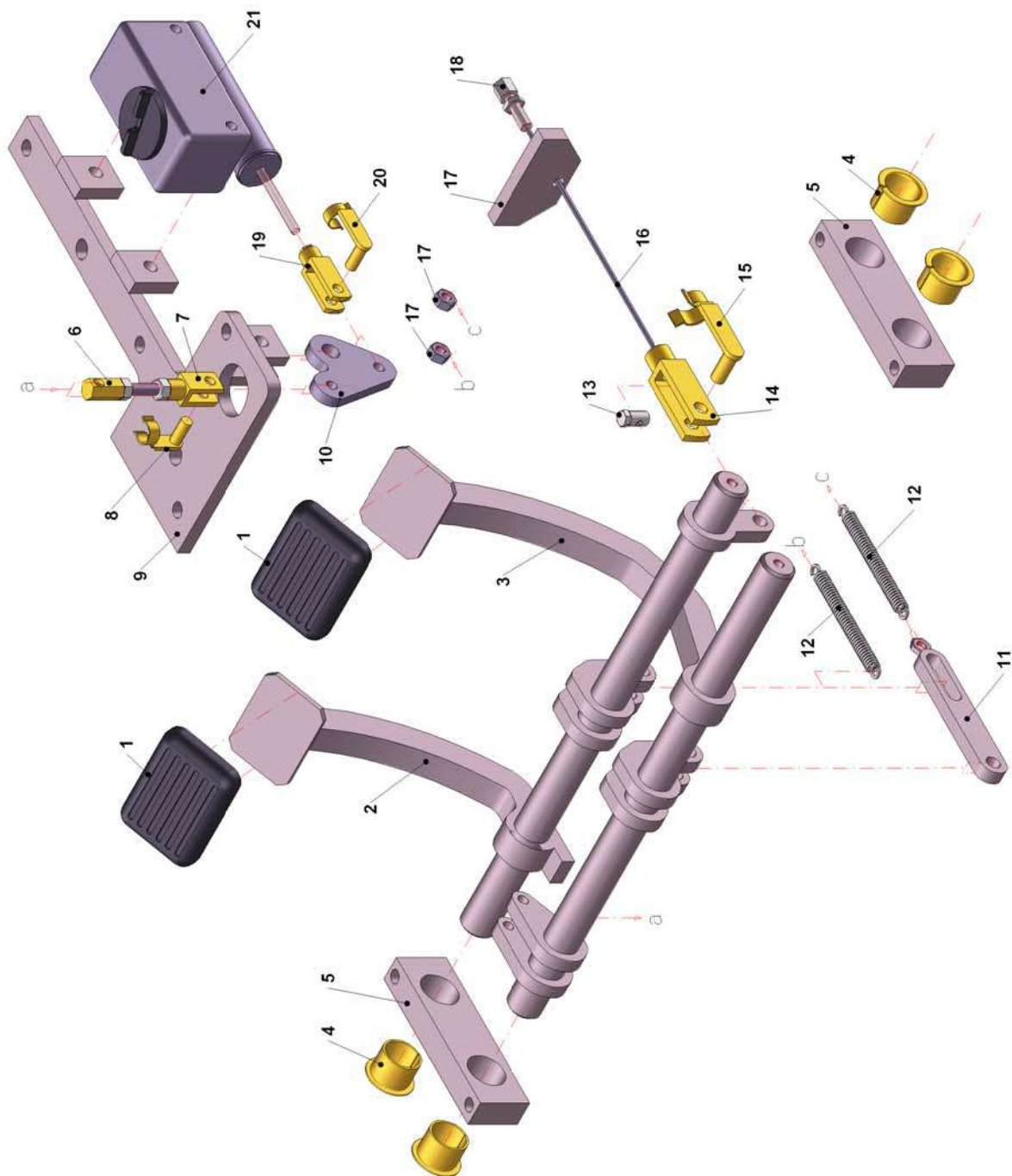


I:\Boxer2\Onderdelenboek\Gasverbinding_sza



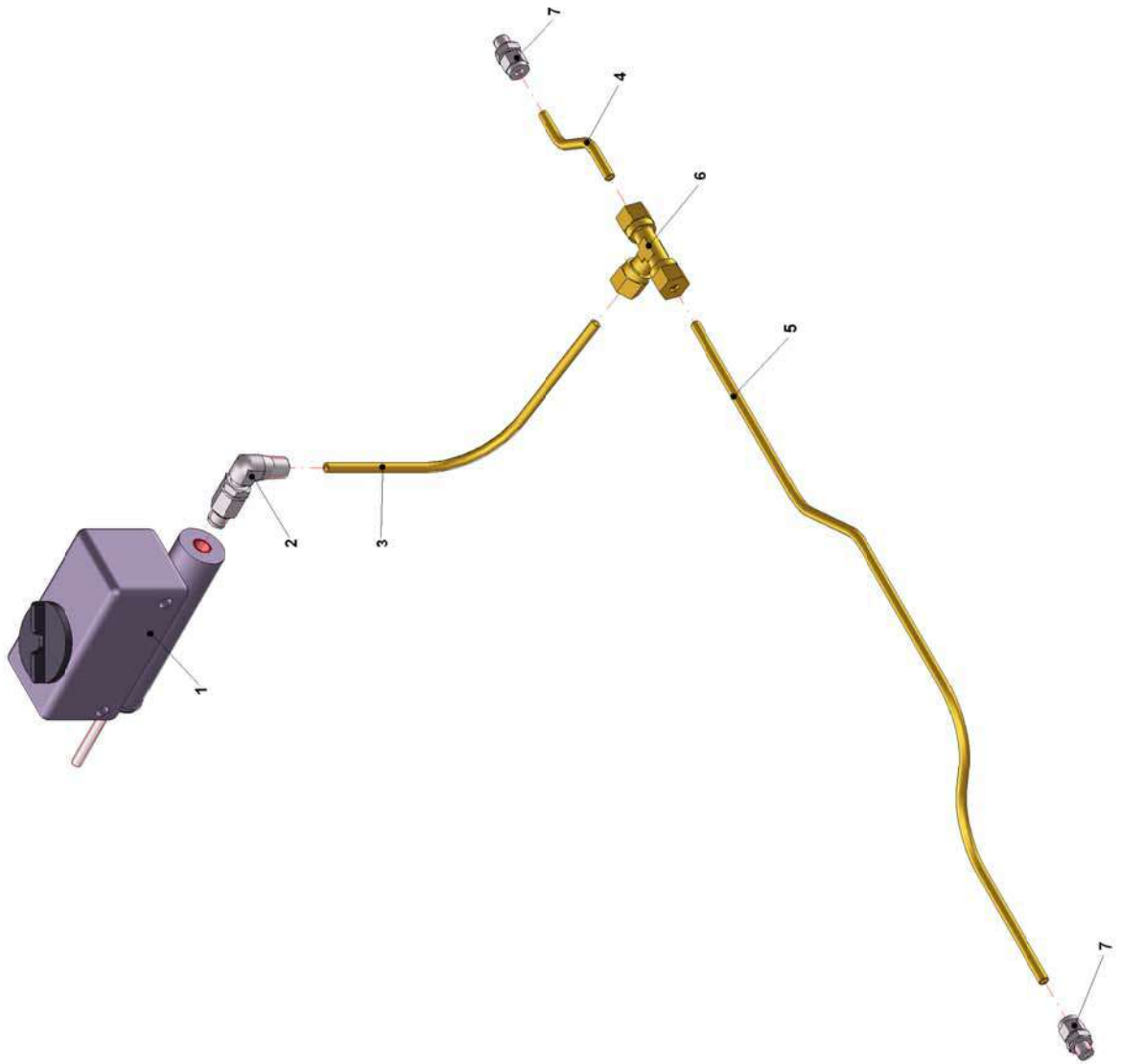
7 - GAS CONNECTION

Pos.no.	Quantity	Description	Parts number
1	1	Gas pedal	P12.220012
2	1	Yoke M6 short	LA.570.0934
3	2	Adjust bolt	P12.10002
4a	1	Outer cable	P12.10050.1
4b	1	Inner cable	P12.10050.2
5	1	Floor plate	P80.0020
6	1	Cable socket	P12.0031
7	1	Spring	P12.0252
8	1	Gas siphon	P80.0109
9	1	Spring	P12.0850
10	1	Gas rod	P80.600.5



**8 - PEDAL SET**

Pos.no.	Quantity	Description	Parts number
1	2	Cover pedals	P12.50074
2	1	Inching pedal assy	P80.2065
3	1	Brake pedal assy	P80.2067
4	4	Plain bearing	P12.0098
5	2	Shaft block duo	P80.0013
6	1	Brake pin	P80.0088
7	1	Yoke M8 short	P12.220016
8	1	Yoke clip M8 short	P12.220018
9	1	Support Brake cylinder	P80.00101.1
10	1	Yoke brake cylinder	P80.0148
11	1	Shaft connection	P80.2069
12	2	Spring	P12.0119
13	1	Cable socket	P12.0031
14	1	Yoke M10 long	P12.220043
15	1	Yoke clip M10 long	P12.220043.1
16	1	Cable	P80.0087
17		Mounting points downside floor plate	
18	1	Adjust bolt	P12.10002
19	1	Yoke M6 long	P12.220019
20	1	Yoke clip M6 long	P12.220017
21	1	Master brake cylinder	P12.220060
22	2	Spacing bush brake cylinder	P80.0147

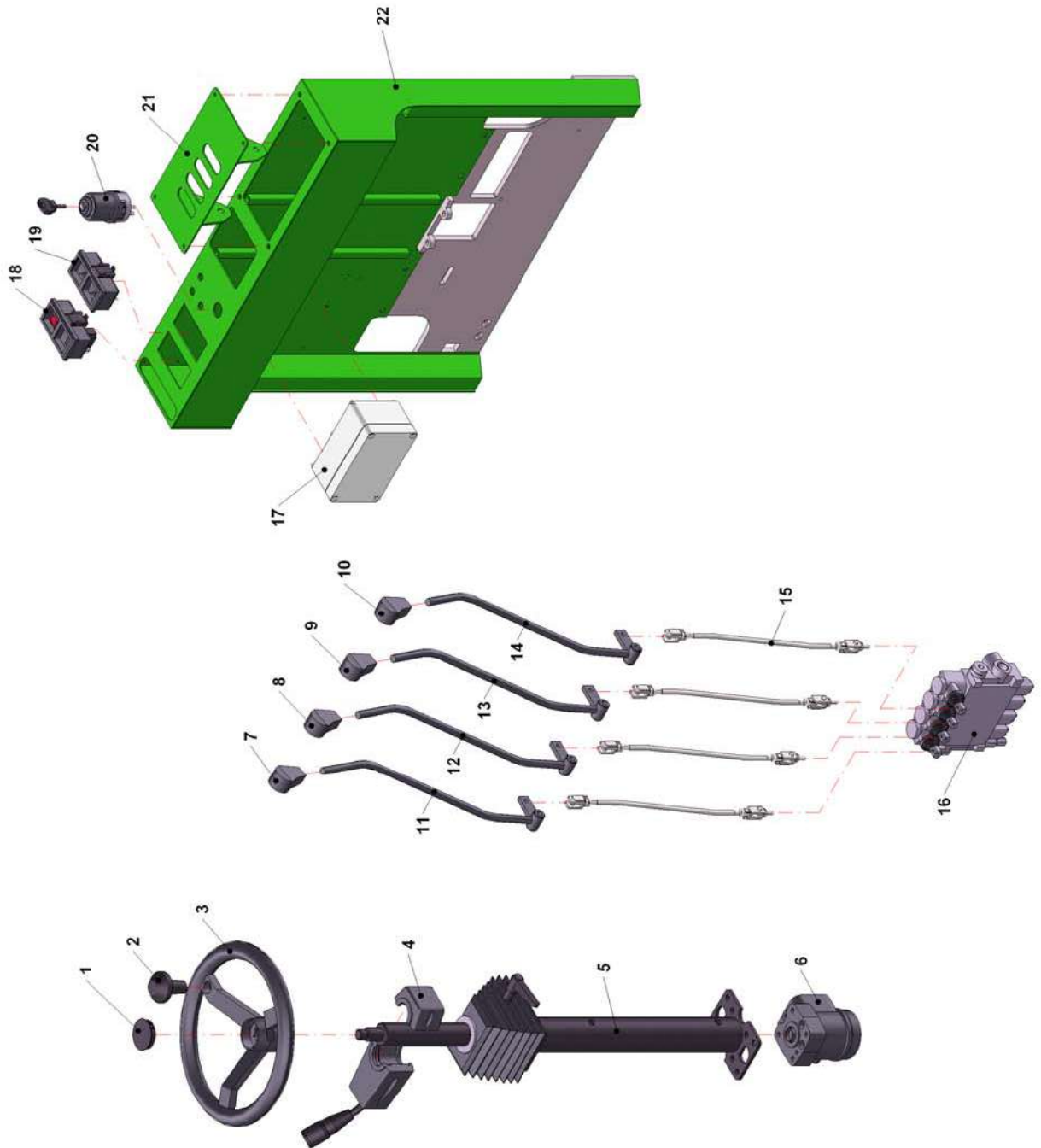


I:\Boxer2\Onderdelenboek\Remleiding.sza



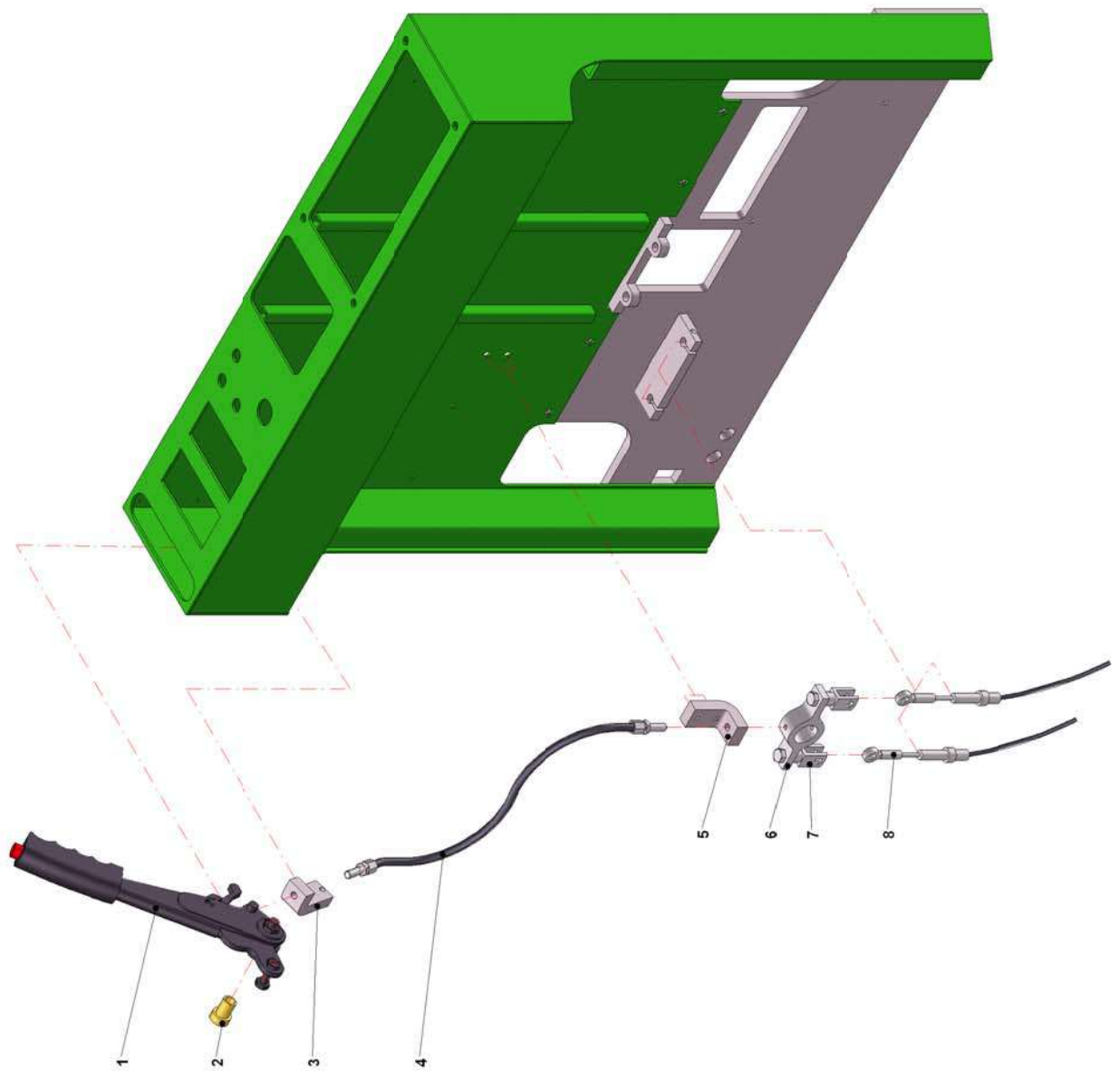
9 - BRAKE PIPING

<i>Pos.no.</i>	<i>Quantity</i>	<i>Description</i>	<i>Parts number</i>
1	1	Master brake cylinder	P12.220060
2	1	Nipple	P12.220060.10
3	1	Brake piping brake cylinder	P80.22081
4	1	Brake piping left	P80.22061
5	1	Brake piping right	P80.22071
6	1	T-connection 6mm	P2.134001000
7	2	Bleeder screw M10x1	PA.100360



10 - DASHBOARD

Pos.no.	Quantity	Description	Parts number
1	1	Cover steering wheel	P12.13031
2	1	Steering knob	P12.13030.1
3	1	Steering wheel	P12.13030
4	1	Forward / Reverse switch	P01.13027
5	1	Steering shaft	P02.2002
6	1	Power steering valve	P02.2009
7	1	Knob 'Lift'	PA.150122
8	1	Knob 'Tilt'	PA.150123
9	1	Knob 'Side-shift'	PA.150125
10	1	Knob 'Auxiliary'	PA.150124
11	1	Handle 'Lift'	P80.2096
12	1	Handle 'Tilt'	P80.2094
13	1	Handle 'Side-shift'	P80.2092
14	1	Handle 'Auxiliary'	P80.2090
15	4	Handle rod	P80.0017
16	1	Valve block	P02.2005
17	1	Fuse box	P80.6375065
18	1	Hour meter and dashes	P01.0602
19	1	Tank level and temperature gauge	P01.0600
20	1	Starter switch + key	K66706.55123
21	1	Handle support	P80.600.4
22	1	Dashboard	P80.600

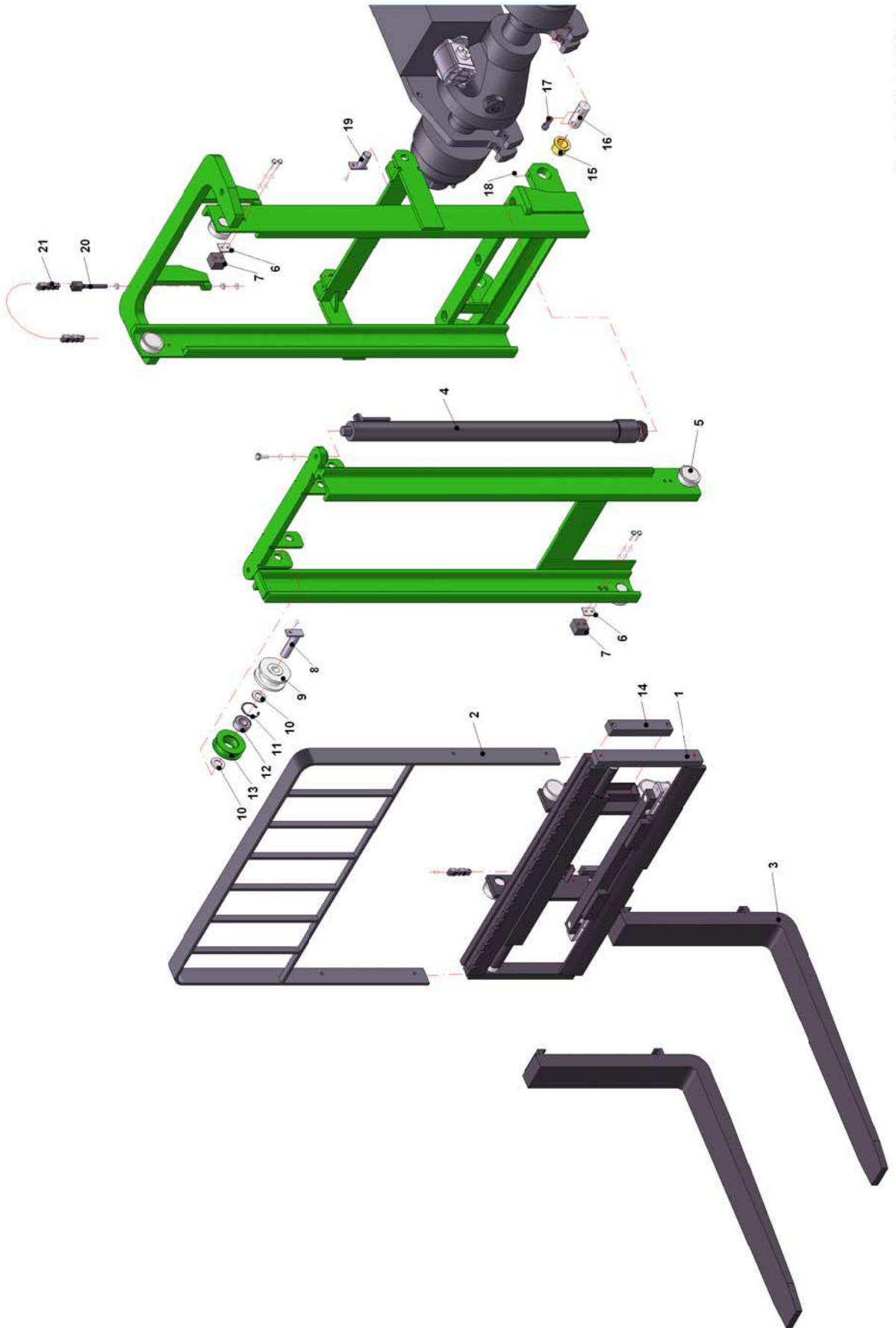


\\Bower2\Onderdelenboek\Handrem.sza



11 - PARKING BRAKE

Pos.no.	Quantity	Description	Parts number
1	1	Parking brake	P12.220011
2	1	Filler bush parking brake	P12.50139
3	1	Cable support	P80.0063
4	1	Parking brake cable	P80.2085
5	1	Cable support	P80.0064
6	1	Bracket	P80.0016
7	2	Yoke M8 short	P12.220016
8	2	Brake cable TXL-15	G.3211303



IBoxer2/Onderdelenboek/Hefmast.sza

12 - MAST

Pos.no.	Quantity	Description	Parts number
1	1	Fork carriage + Side-shifter	P80.1050
2	1	Back rest	P80.1052
3	2	Fork l=1000 mm	V100x35x10002
	2	Fork l=1200 mm	V100x35x12002
	2	Fork l=1300 mm	V100x35x13002
4	2	Lift cylinder 1780mm (M36-nut)	P80.0080
	2	Lift cylinder 2800mm (M36-nut)	P80.0090
5	8	Mast bearing	P15.0032
6	4	Fill plate mast 8mm	P80.0122
7	4	Shim mast	P80.0048
8	4	Gliding block mast	PA.12.4.13
9a	1 / 2	Locking pin	P80.105
9b	1 / 2	Hydraulic hoses sheave	PA.12.4.5
10	2 / 4	Washer M24	P03.11.24.00
11	1 / 2	Cir-clip 52x2	P03.08.J52.00
12	1 / 2	Mast bearing 3205-2RS1	L.3205.2RS
13	1 / 2	Chains sheave	PA.12.4.4
14	2	Gliding block fork carriage	PA.100910
15	2	Plain bearing	PA.100800
16	2	Pin mast / frame	PA.12.4.9
17	4	Bolt M14x1,5x55	P03.04.14.55
18	2	Grease nipple M6	P03.00007
19	2	Locking pin tilt cylinder / mast	P80.107
20	2	Stopper BL544 complete	PA.100110.3
21	2	Lifting chain BL544	PA.100110.2



Boxer2 | Onderdelenboek | Side-shift.sza

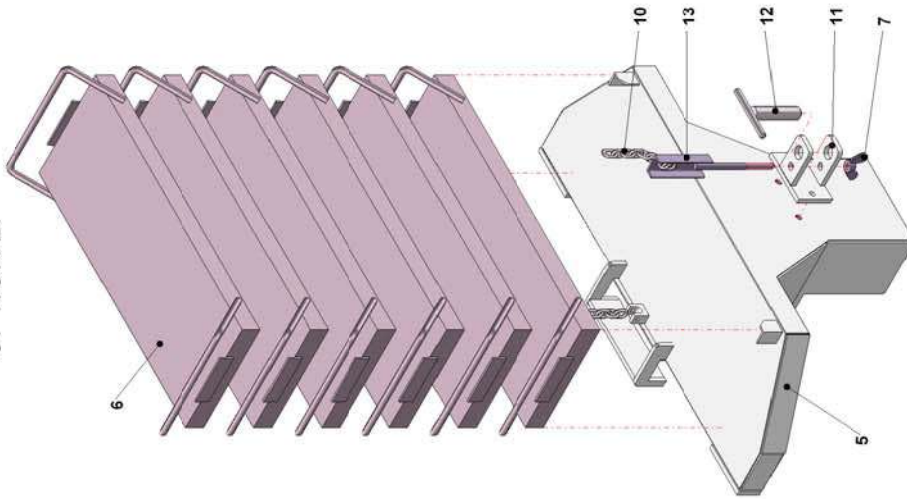
**13 - SIDE-SHIFT**

Pos.no.	Quantity	Description	Parts number
1	1	Mobile frame	101230056CBO
2	1	Fixed frame	101220436CBO
3	2	Upper pad	101230420CBO
4	2	Stake pad	101230421CBO
5	4	Greaser	P15.0032
6	2	Seal	47065007BO
7	2	Rod bushing	41041326BO
8	2	Scraper	101230003CBO
9	2	Cir clip	41041327BO
10	2	Rod	42038101BO
11	2	Boogie pin	101230004CBO
12	2	Greaser	101230035ZBO
13	2	Greaser	47065001BO
14	2	Upper boogie	47065006BO
15	2	Roller pin	101230030ZBO
16	4	Roller	101230029ZBO
17	4	Roller pin	40033053BO
18	2	Elastic pin	101230031ZBO
19	4	Upper hook	46063017BO
20	2	Screw	101230198CBO
21	4	Plate BL544	44046501BO
22	2	Mobile frame	PA.100110.1

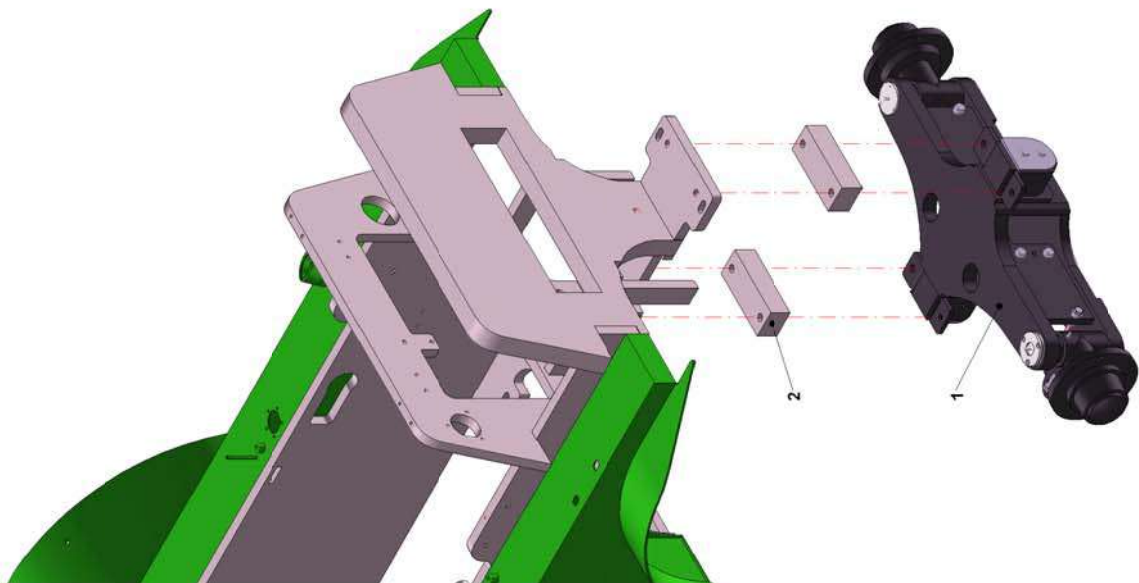
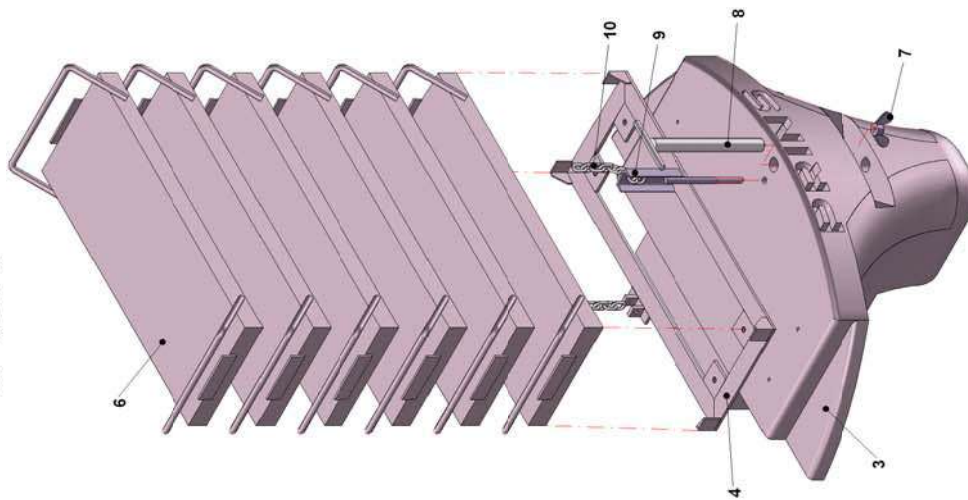
Pos.no.	Kit	Parts number
	Side-shift complete	P80.1050
12-19	RH Boogie	141230032CBO
12-19	LH Boogie	141230033CBO



OPTION 2:

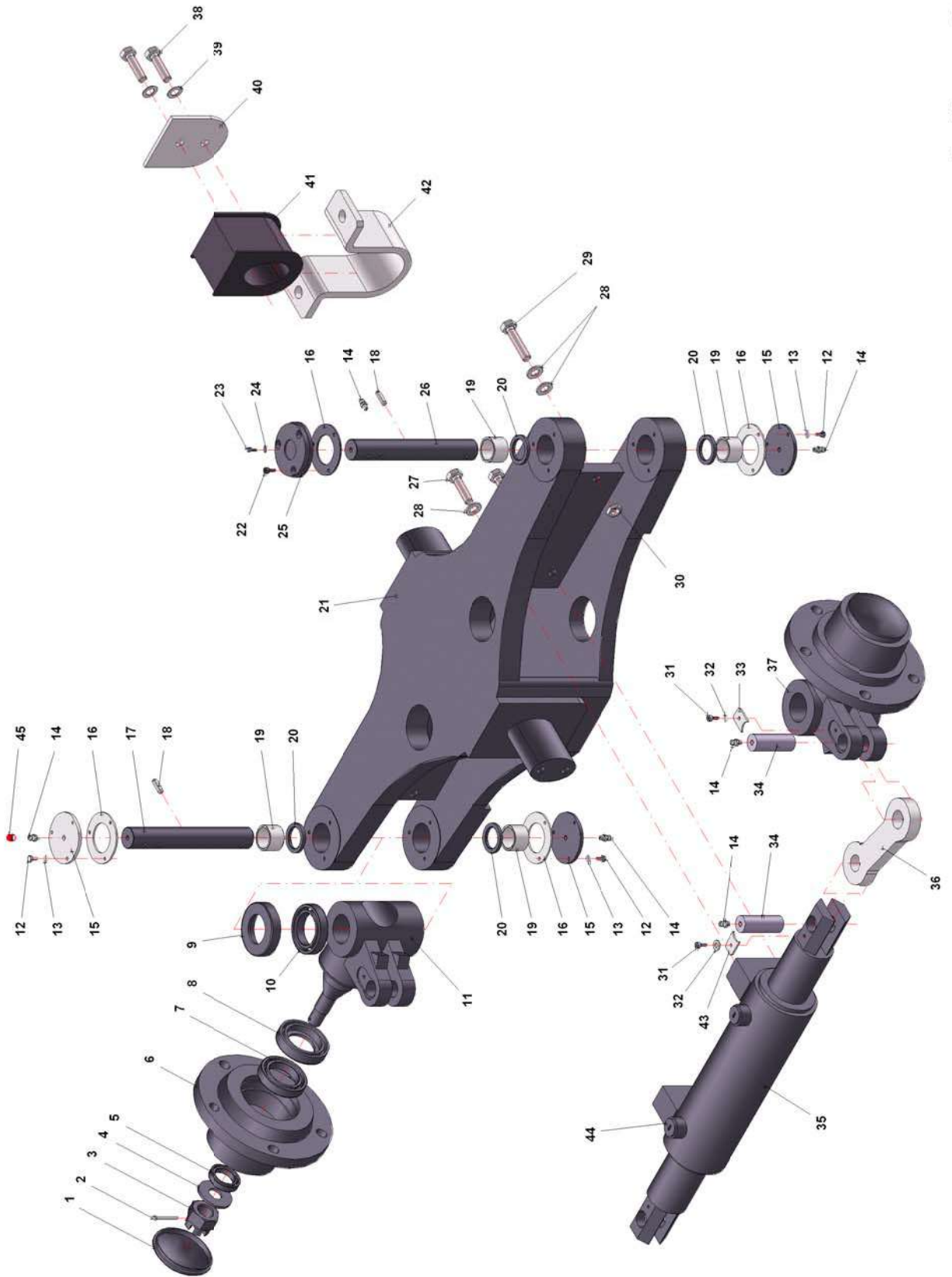


OPTION 1:



14 - MOUNTING STEERING AXLE AND COUNTERWEIGHT

Pos.no.	Quantity	Description	Parts number
1	1	Steering axle complete	P80.2002
2	2	Mounting block l= 45mm	P80.0097
<i>OPTION 1:</i>			
3	1	Counterweight massive	P80.12001
4	1	Ballast plate rack	P80.0018
<i>OPTION 2:</i>			
5	1	Dummy counterweight Boxer II 45 kg small wheels	P80.12002.1
	1	Dummy counterweight Boxer II 45 kg big wheels	P80.12001.1
6	~	Ballast plate 50 kg	P12.50047
7	1	Nut chain tensioner	P12.50051
8	1	Pin towing hook Counterweight	P80.12003
9	1	Chain tensioner Counterweight	P80.12003
10	1	Chain ballast plates	P12.0041
11	1	Towing hook	PA.12.7.5
12	1	Pin towing hook Dummy counterweight	P12.50202
13	1	Chain tensioner Dummy counterweight	P12.50050

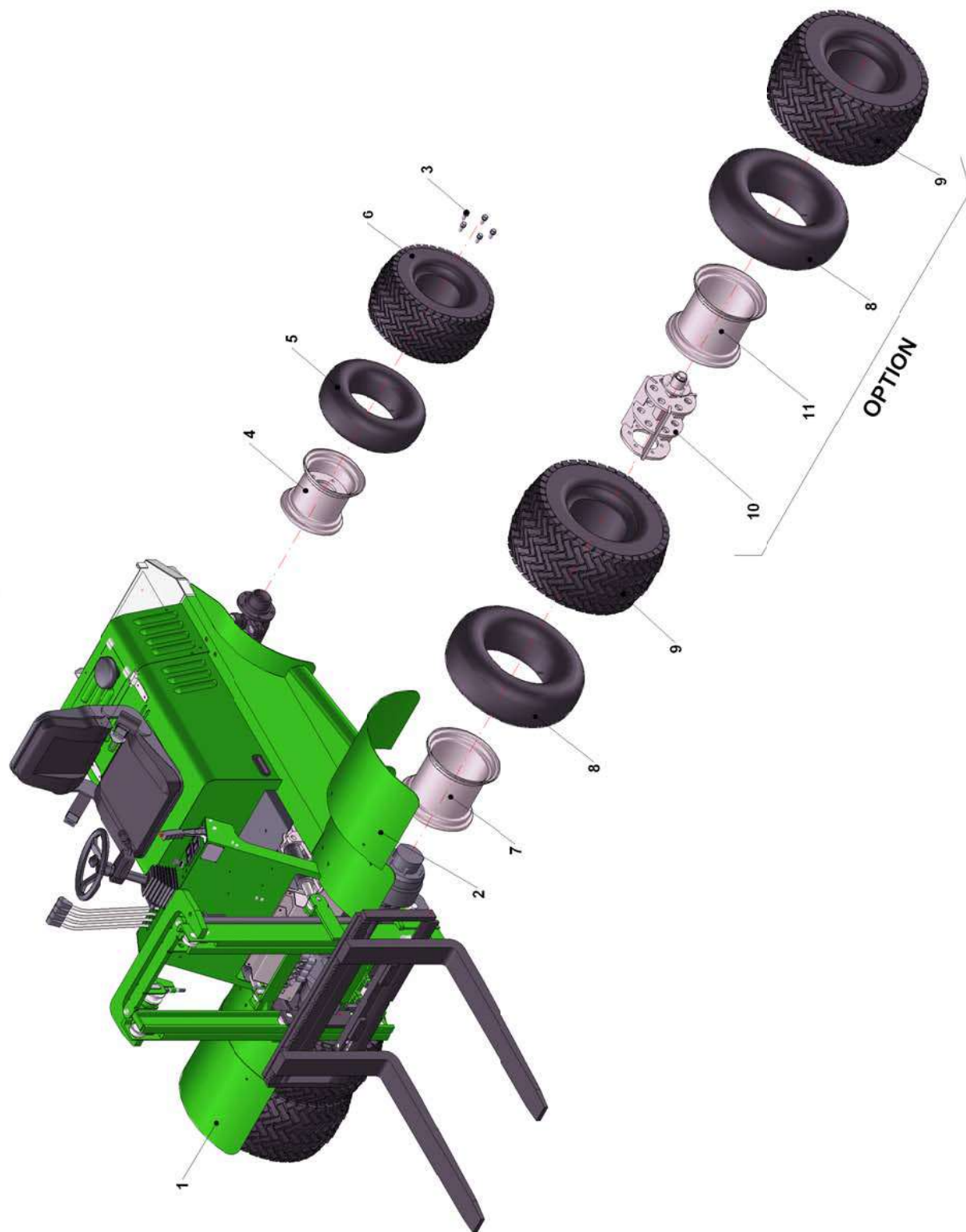


\\Boxer2\onderdelenboek\STOUPAS.SZA

15 - STEERING AXLE

Pos.no.	Quantity	Description	Parts number
1	2	Cap	P80.2020
2	2	Cotter pin	P80.2021
3	2	Nut M24x2	P80.2022
4	2	Washer	P80.2023
5	2	Bearing	P80.2024
6	2	Hub	P80.2025
7	2	Bearing	P80.2026
8	2	Throw ring	P80.2027
9	2	Dust cap	P80.2028
10	2	Bearing	P80.2029
11	1	Stub axle left	P80.2030
12	9	Screw M5x16	P80.2031
13	9	Washer	P80.2032
14	6	Grease nipple M6	P80.2033
15	3	Cap	P80.2034
16	4	Gasket	P80.2035
17	1	Swivel pin left	P80.2036
18	2	Pin	P80.2037
19	4	Bearing	P80.2038
20	4	Seal ring	P80.2039
21	1	Frame steering axle	P80.2040
22	3	Screw	P80.2041
23	1	Shaft	P80.2042
24	1	Nut M6	P80.2043
25	1	Support washer	P80.2044
26	1	Swivel pin right	P80.2045
27	4	Bolt M12x35	P80.2046
28	8	Washer M12	P80.2047
29	2	Bolt M12x50	P80.2048
30	2	Nut M12	P80.2049
31	4	Screw M6x14	P80.2050
32	4	Washer	P80.2051
33	2	Keeper plate swivel	P80.2052
34	2	Pin steering cylinder	P80.2053
35	1	Steering cylinder	P80.2054
36	2	Connection rod swivel	P80.2055
37	1	Swivel right	P80.2056
38	4	Bolt M10x25	P80.2057
39	4	Washer	P80.2058
40	2	Keeper plate rubber	P80.2059
41	2	Damper steering axle	P80.2060
42	2	Support damper	P80.2061
43	2	Keeper plate cylinder	P80.2062
44	2	Plug	P80.2063
45	6	Cap greaser	P80.2064

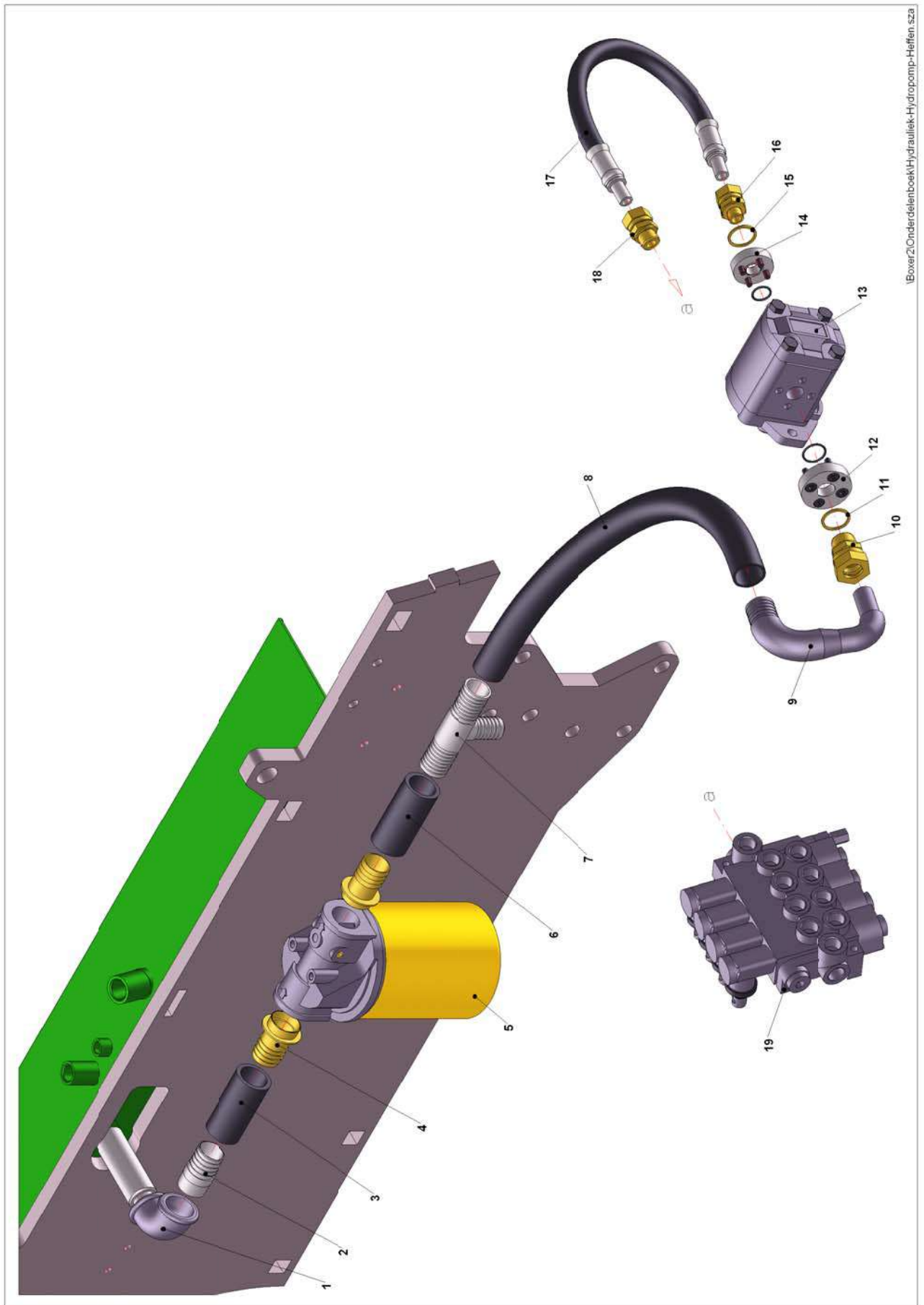
Pos.no.	Kit	Parts number
1-44	Steering axle complete	P80.2002
38-42	Tilt axle kit steering axle	P80.2100
30-31; 35; 44	Cylinder kit steering axle	P80.2300
2-4; 9-11; 17-18	Swivel left complete	P80.2400
2-4; 9-10; 14; 18; 23-24; 26; 37	Swivel right complete	P80.2500
1; 5-8	P80.2600	P80.2600
14; 31-34; 36; 43	Connecting rod kit	P80.2700



I:\Boxer2\Onderdelenboek\Velgen-Wielen.sza

16 - WHEELS AND RIMS

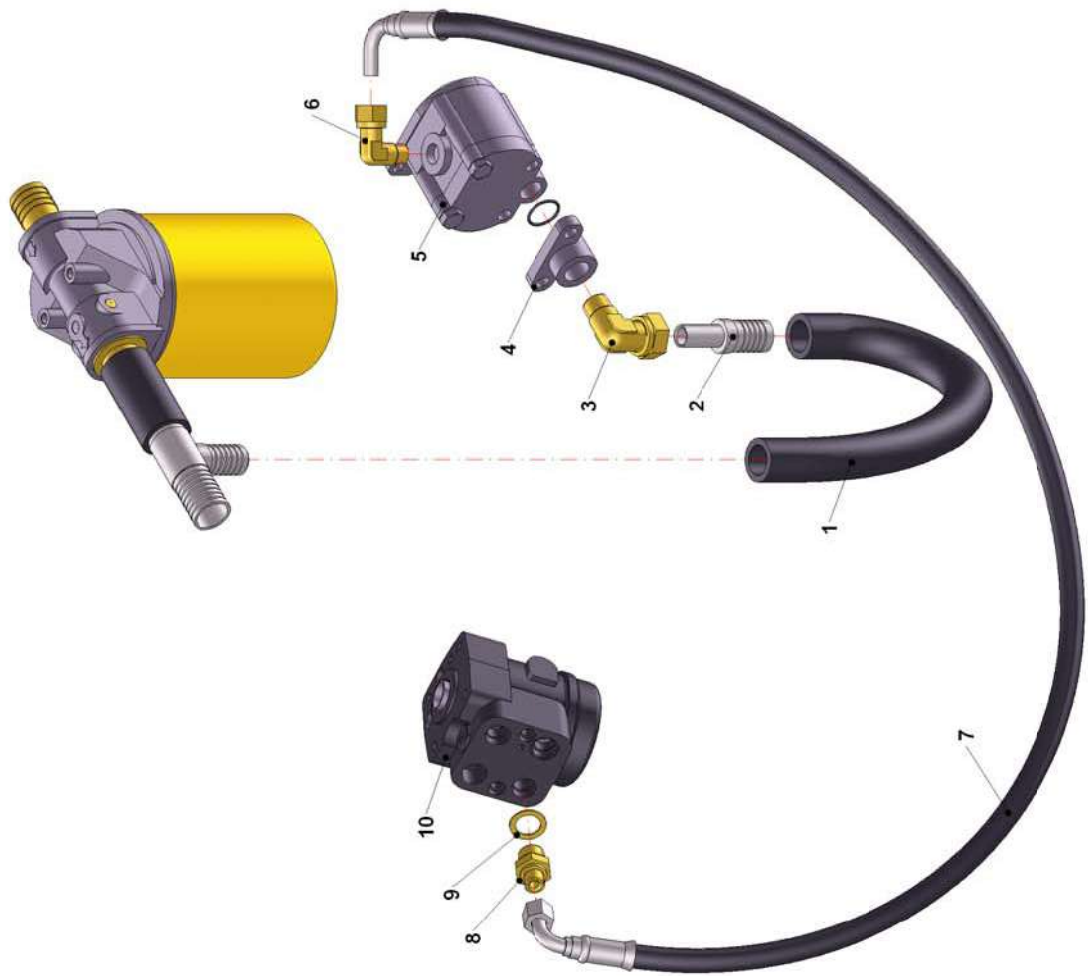
Pos.no.	Quantity	Description	Parts number
1	1	Front screen Double-tyre left	P80.8001
2	1	Front screen Double-tyre right	P80.7001
3	10	Wheel bolt	P80.1060.5
<i>OPTION 1 – SMALL WHEELS:</i>			
4/5/6	2	Rear wheel 20/10-10 assy	P80.1060
4	2	Rear rim 20/10-10	P80.1060.1
5	2	Rear tube 20/10-10	P04.11010
6	2	Rear tire 20/10-10	P04.02010
7	2 / 4	Front rim 26/12-12	P04.31302
8	2 / 4	Front tube 23/12,5-12	P04.01212.8
9	2 / 4	Front tire 23/12,5-12	P04.01212
<i>OPTION 2 – BIG WHEELS:</i>			
4/5/6	2	Rear wheel 24x13,00-12 assy	PE.0051
4	2	Rear rim	PE.0035
5	2	Rear tube 23/12,5-12	P04.01212.8
6	2	Rear tire 24x13,00-12	P04.01213
7/8/9	2/4	Front rim 295/50/15 assy	PA.100024
7	2 / 4	Inner Front rim	PA.100034
9	2 / 4	Front tire 23/12,5-12	P04.01214
<i>OPTION – DOUBLE-TYRE:</i>			
10	2	Semi-Neutral axle for Double-tyre (option)	P80.20651
11	2	Outer Front rim	PA.100035



I:Boxer2,OnderdelenboekHydrauliek-Hydropomp-Heffen.sza

**17 - HYDRAULICS HYDRO PUMP LIFTING**

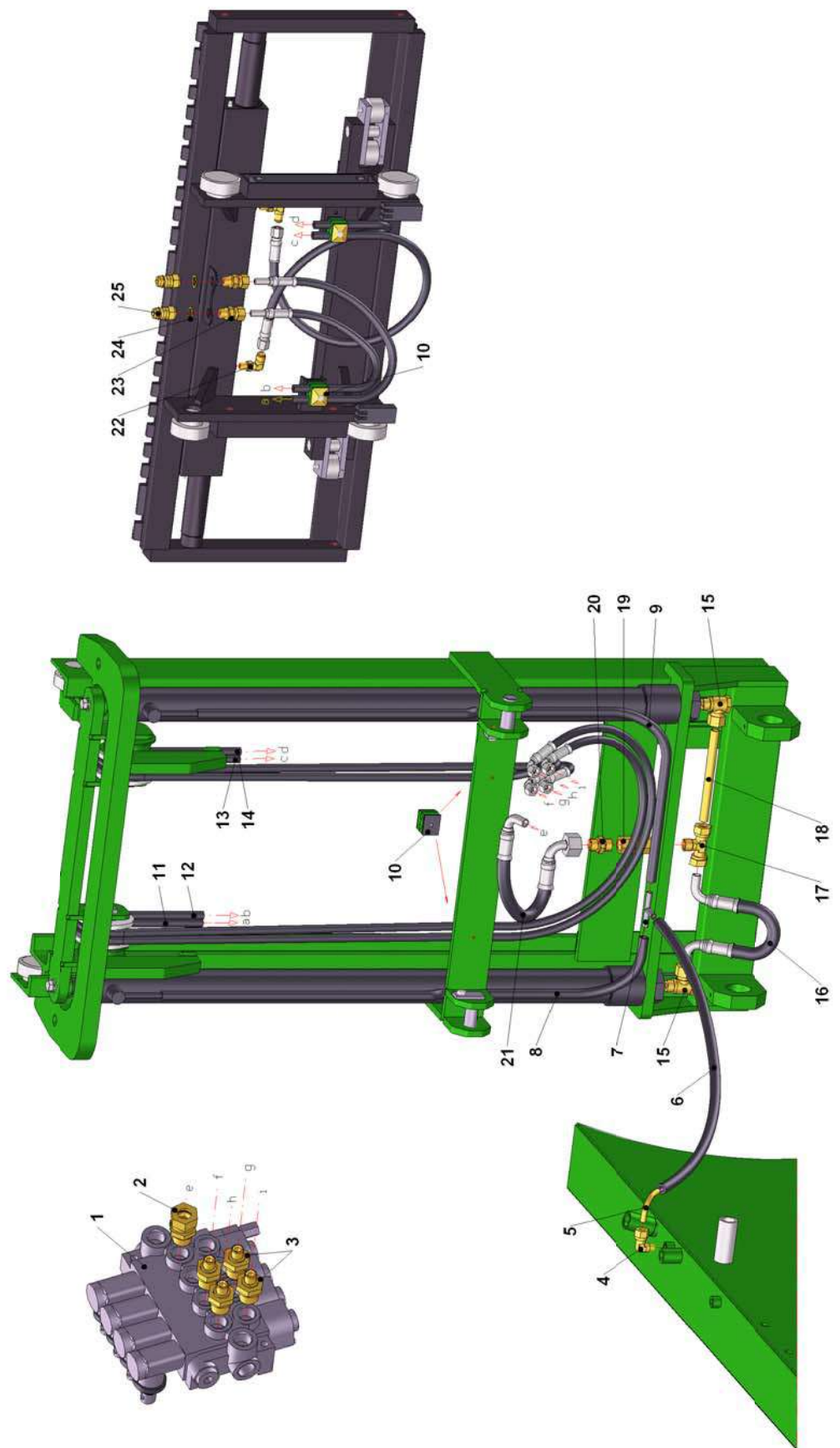
Pos.no.	Quantity	Description	Parts number
1	1	Elbow 1" inside-inside	P02.0160
2	1	Nipple	P80.202
3	1	Hose 31mm ins. l= 85mm	P2.051120
4	2	Brass hose pillar	6037380
5	1	Filter element	MPS100SP25KA
6	1	Hose 31mm ins. l= 90mm	P2.051120
7	1	T-connection	P80.2224
8	1	Hose 31mm ins. l= 60mm	P2.051120
9	1	Pump manifold	P80.2226
10	1	Nipple 1/2-22	GE22PLR1/2
11	1	Copper washer 22x28	P03.17.22.28
12	1	Flange Hydro pump 2DF08	PA.150104
13	1	Hydro pump 14.4CC (<i>other volumes on demand</i>)	P80.0089
14	1	Flange Hydro pump 1DF38	PA.150103
15	1	Copper washer 16x22	P03.17.16.22
16	1	Nipple 3/8-15	P2.110152000
17	1	Hydraulic hose Hydro pump – Valve block	P80.703
18	1	Nipple 1/2-15-90°	P2.116201000
19	1	Valve block	P02.2005



IBoxer2Onderdelenboek(Hydrauliek-Hydropomp-Kubota.sza

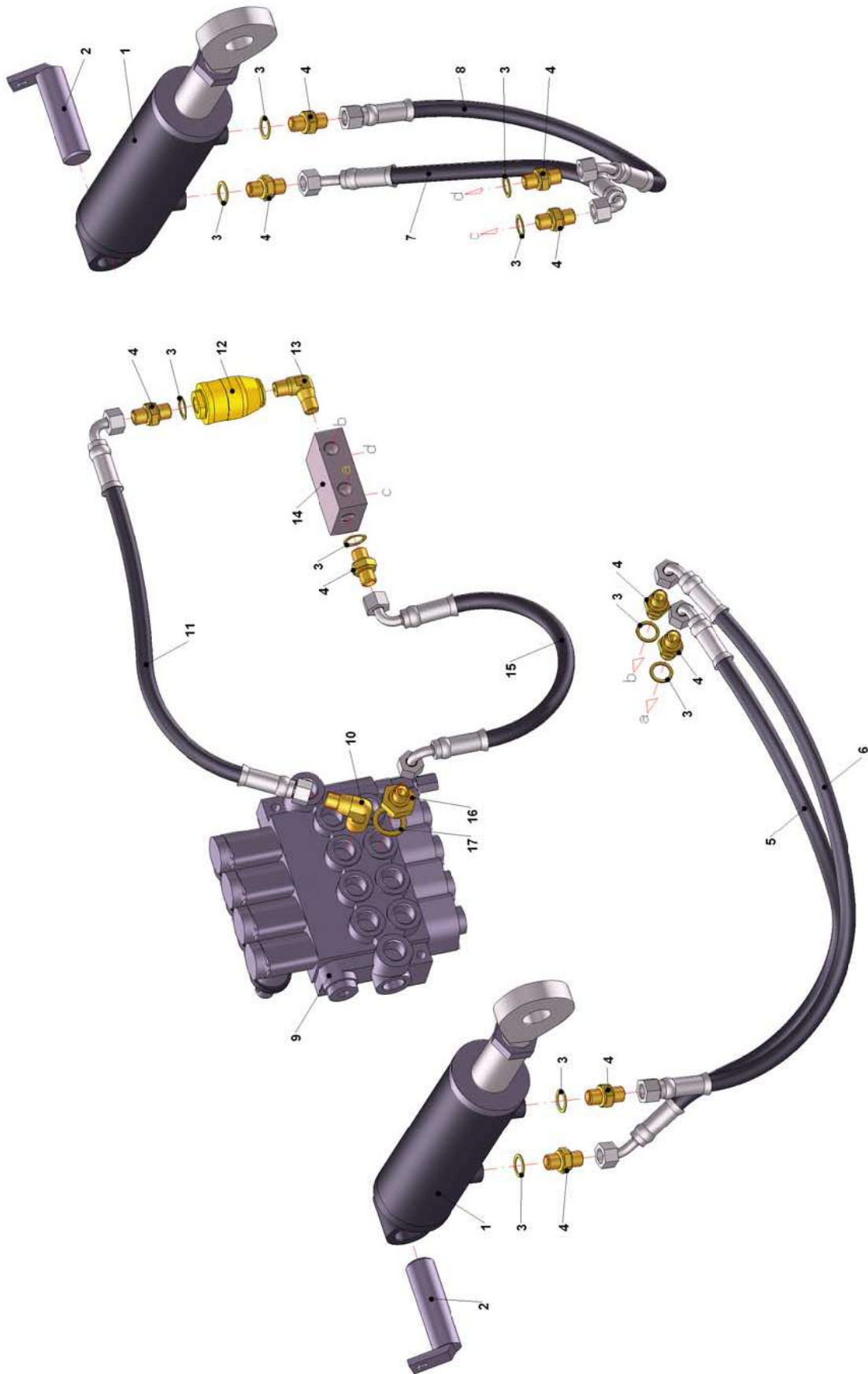
**18 - HYDRAULICS HYDRO PUMP KUBOTA**

Pos.no.	Quantity	Description	Parts number
1	1	Hose 31mm ins. l= 550mm	P2.051120
2	1	Adapter steering pump	P80.2220
3	1	Nipple 1/2-18-90°	WE18PLR1/2
4	1	Flange Hydro pump	16678.8385.0
5	1	Hydro pump Kubota	K16286.83801
6	1	Nipple 3/8-12-90°	P2.116151000
7	1	Hydraulic hose Hydro pump Kubota – Steering valve	P80.704
8	1	Nipple 3/8-1/2	P2.224406080
9	1	Copper washer 21x26x1,5	P03.17.21.26
10	1	Steering valve	P02.2009



**19 - HYDRAULICS LIFTING**

Pos.no.	Quantity	Description	Parts number
1	1	Valve block	P02.2005
2	1	Nipple 1/2"-15	P2.110201000
3	4	Nipple 1/4-1/2	P2.224404080
4	1	Nipple 1/4"-10-90°	P2.116101000
5	1	Pipe tank return	P80.0065
6	1	Fuel pipe 10mm ins. l= 900mm	P12.0532
7	1	T-connection	P80.00040
8	1	Fuel pipe 10mm ins. l= 1550mm	P12.0532
9	1	Fuel pipe 10mm ins. l= 1750mm	P12.0532
10	4	Hose bracket complete Ø12 double	P2.330803000
11	1	Hydraulic hose 1 Valve block – Side-shift	P80.706
12	1	Hydraulic hose 2 Valve block – Side-shift	P80.707
13	1	Hydraulic hose 3 Valve block – Side-shift	P80.708
14	1	Hydraulic hose 4 Valve block – Side-shift	P80.709
15	2	Banjo	1153202007FL
16	1	Hydraulic hose Banjo – T-connection Lift cylinders	P02.05001
17	1	T-connection15mm	P2.134201000
18	2	Hydraulic pipe lift cylinder	P02.0503
19	1	Safety valve	PA.12.9.9
20	1	Nipple 1/2-1/2	P2.224408080
21	1	Hydraulic hose Valve block – Lift cylinders	P80.705.2
22	2	Adapter 6-M14-C870-MXS	P2.26260614
23	2	Nipple 3/8"-10	P2.110121000
24	2	Copper washer 16,5x24	P02.5131
25	2	Coupling 3/8"	P2.940206000



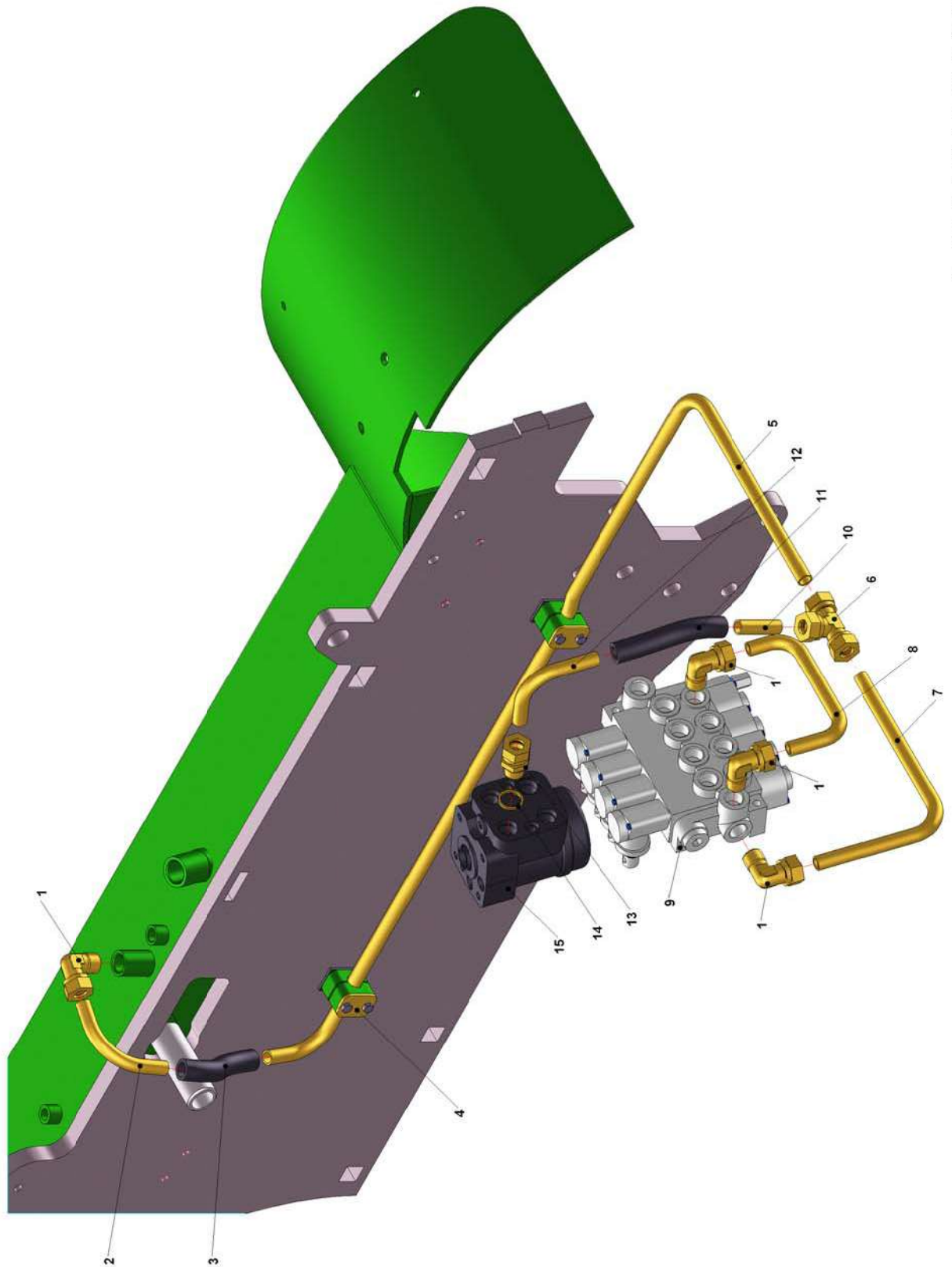
**20 - HYDRAULICS TILTING**

Pos.no.	Quantity	Description	Parts number
1	2	Tilt cylinder Boxer II complete	P80.2070
2	2	Locking pin Tilt cylinder – Frame	P80.106
3	12	Copper washer 14x20x1,5	P12.0387
4	11	Nipple 1/4-1/4	P2.224404040
5	1	Hydraulic hose Tilt cylinder right back	P80.710
6	1	Hydraulic hose Tilt cylinder right front	P80.711
7	1	Hydraulic hose Tilt cylinder left back	P80.714
8	1	Hydraulic hose Tilt cylinder lift front	P80.715
9	1	Valve block	P02.2005
10	1	Nipple 3/8-10-90°	P2.116121000
11	1	Hydraulic hose 1 Valve block – Adapter block	P80.713
12	1	Flow control valve	P02.220009.1
13	1	Knee 1/4" inside-outside	P2.865704040
14	1	Adapter block	P80.0045
15	1	Hydraulic hose 2 Valve block – Adapter block	P80.726
16	1	Nipple 1/4-1/2	P2.224404080
17	1	Copper washer 21x26x1,5	P03.17.21.26



**21 - HYDRAULICS STEERING CYLINDER**

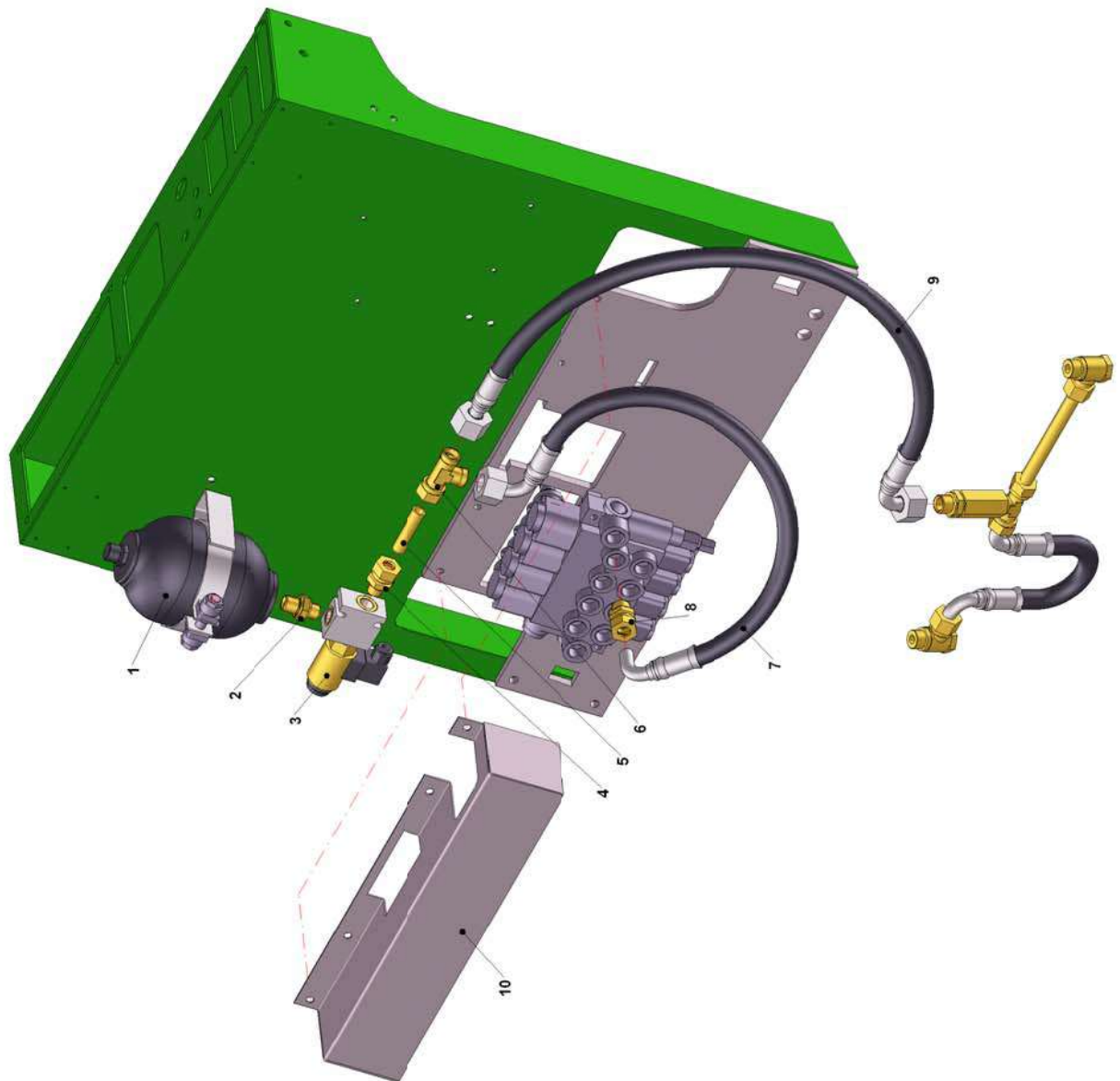
Pos.no.	Quantity	Description	Parts number
1	1	Steering cylinder	P80.2054
2	2	Copper washer 14x20x1,5	P12.0387
3	2	Nipple 1/4-1/4	P2.224404040
4	1	Hydraulic hose Steering cylinder right – Frame left	P80.716
5	1	Hydraulic hose Steering cylinder left – Frame right	P80.717
6	4	Coupling 10mm	P2.138101000
7	1	Steering pipe right	P80.2216
8	1	Steering pipe left	P80.2217
9	2	Hose bracket complete Ø12 double	P2.330803000
10	1	Hydraulic hose Steering cylinder left – Steering valve	P80.718
11	1	Hydraulic hose Steering cylinder right – Steering valve	P80.719
12	2	Nipple 1/2-1/4	P2.224404080
13	2	Copper washer 21x26x1,5	P03.17.21.26
14	1	Steering valve	P02.2009



IBoxer2\Onderdelenboek\Hydrauliek-Orbitrol-Ventielenblok.sza

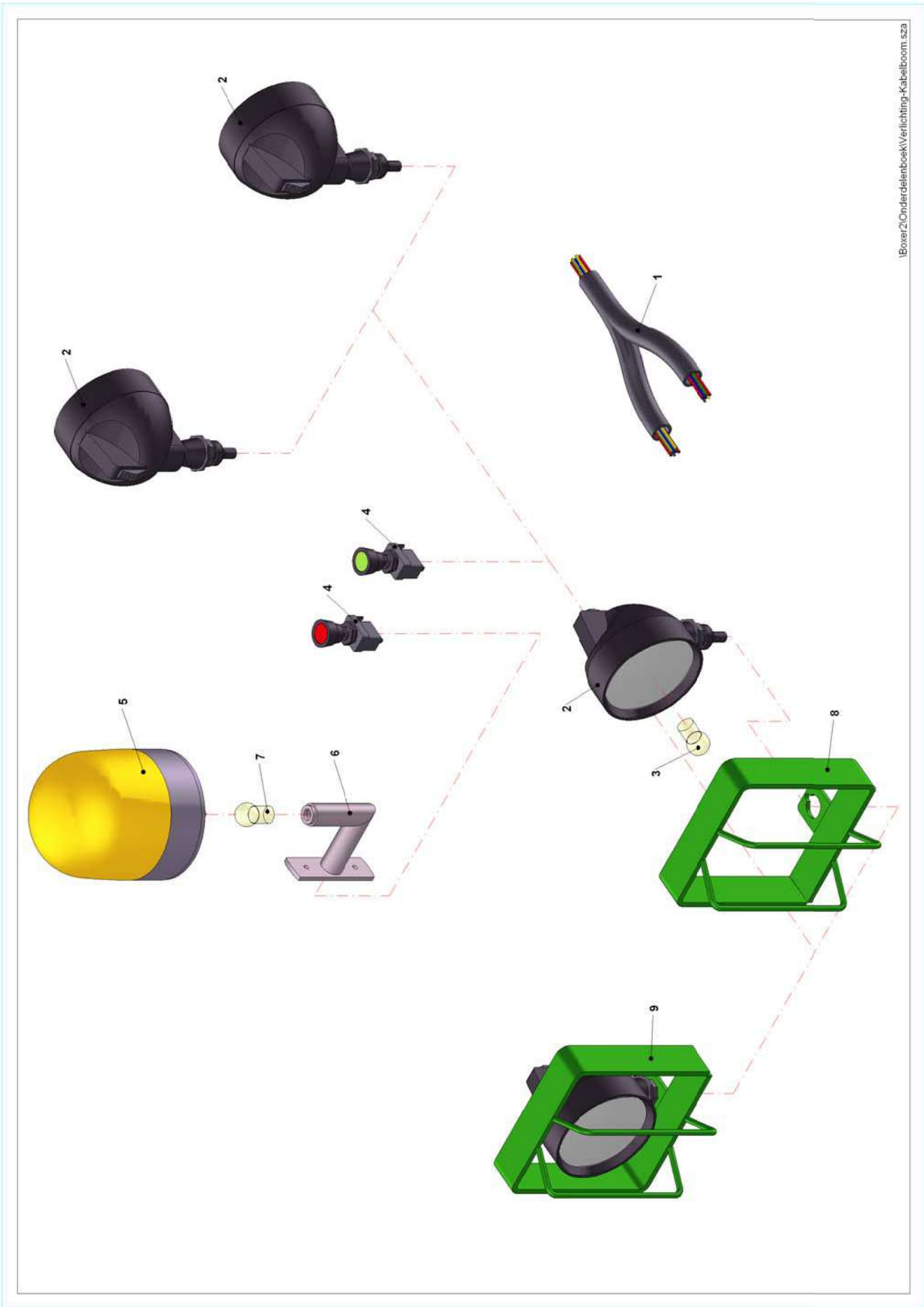
**22 - HYDRAULICS STEERING VALVE / VALVE BLOCK**

Pos.no.	Quantity	Description	Parts number
1	4	Nipple 1/2-15-90°	P2.116201000
2	1	Return pipe short	P80.0065
3	1	Fuel pipe 15mm ins. l= 150mm	P2.07011000
4	2	Hose bracket complete Ø15 single	P2.330229000
5	1	Return pipe long	P80.2211
6	1	T-connection 15mm	P2.134201000
7	1	Return pipe valve block	P80.2214
8	1	Connection pipe	P80.2213
9	1	Valve block	P02.2005
10	1	Return pipe 1 steering valve	P80.22121
11	1	Fuel pipe	P2.07011000
12	1	Return pipe 2 steering valve	P80.2212
13	1	Nipple 1/2-15	P2.110201000
14	1	Copper washer 21x26x1,5	P03.17.21.26
15	1	Steering valve	P02.2009



**23 - ACCUMULATOR (OPTION)**

Pos.no.	Quantity	Description	Parts number
1	1	Accumulator 50 BAR incl. bracket	H1000R50BAR
2	1	Adapter 3/8"-M18x1,5	P2.228418060
3	1	Electric valve 12V	EW10-A-001
4	1	Nipple 3/8"-15	P2.110152000
5	1	Hydraulic pipe	P02.0504
6	1	T-connection 15mm	P2.134201000
7	1	Hydraulic hose Valve block – Accumulator	P80.721
8	1	Nipple 1/2"-15	P2.110201000
9	1	Hydraulic hose 3 Accumulator – Lift cylinder	P80.720.2
10	1	Front cap	P80.0120

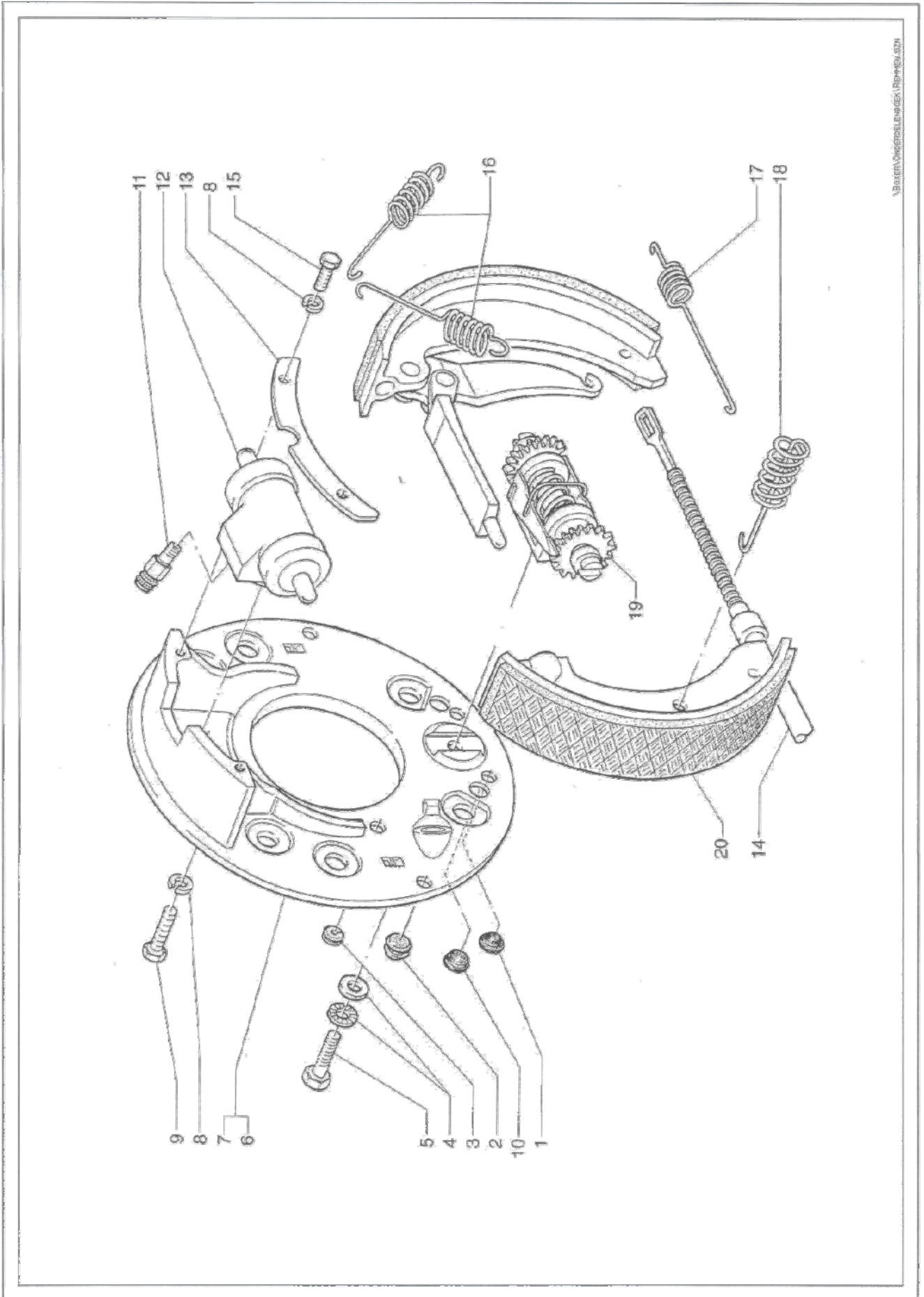


IBoxer2\Onderdelenboek\Verlichting-Kabelboom.sza



24 - ILLUMINATION (OPTION) & MAIN CABLING

Pos.no.	Quantity	Description	Parts number
1	1	Main cabling	P80.0100
2	2 / 4	Head lamp complete	P01.13030
3	1	Globe head lamp	P01.0169
4	1	Switch	P01.0014.1
5	1	Flashing light	P01.13035
6	1	Support flashing light	P01.13035.1
7	1	Globe flashing light	P01.13031.1
8	1	Support head lamp left	P80.0057
9	1	Support head lamp right	P80.0058



www.prinsmaasdiik.nl

**25 - BRAKES**

Pos.no.	Quantity	Description	Parts number
1	4	Plug	G.3111103
2	4	Plug	G.3174143
3	2	Wire supporting	G.3227113
4	4	Washer	G.3168533
5	2	Screw	G.3227963
6	1	Right plate	G.3249023
7	1	Left plate	G.3249033
8	8	Spring lock ring	G.3168513
9	4	Screw	G.3227953
10	4	Plug	G.3227973
11	2	Valve of bleeder	G.3249043
12	2	Complete cylinder Ø23.81	G.3227893
13	2	Sheet metal	G.3227883
14	2	Handbrake cable	G.3211303
15	4	Screw	G.3186313
16	4	Upper spring	G.3168623
17	2	Lower spring	G.3227923
18	4	Spring	G.3249053
19	2	Adjusting device complete	G.3249063

Pos.no.	Kit	Parts number
20	Complete brake shoe kit right/left	G.3249003
	Complete right brake Knott Ø203x60	G.3211323
	Complete left brake Knott Ø203x60	G.3211333