

Parts Catalogue

BOXER III

Issue February, 2016
Prins Maasdijk



TABLE OF CONTENTS

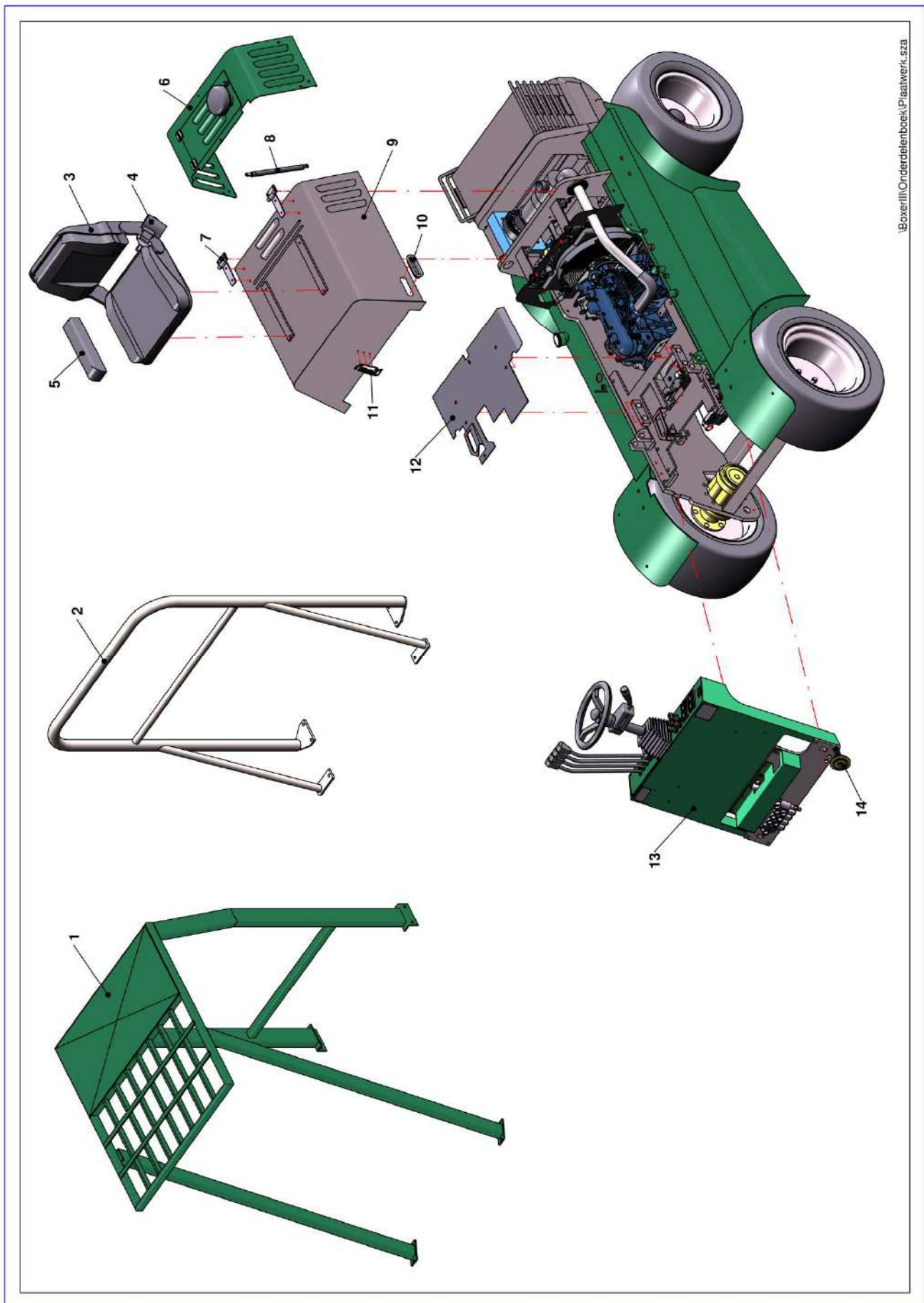
	<i>Page</i>
NOTES.....	3
1 – SHEET METAL WORK	4
2 – DRIVE ASSEMBLY	6
3 – DRIVE UNIT & COOLING	8
4 – AIR MANAGEMENT	10
5 – FUEL SYSTEM	12
6 – ACCELERATOR CONNECTION.....	14
7 – BRAKE CONNECTION	16
8 – DASHBOARD.....	18
9 – MAST	20
10A – INTEGRATED SIDE SHIFT.....	22
10B – SIDE SHIFT ATTACHED FORK POSITIONER.....	24
11 – STEERING SHAFT & BALLAST ASSEMBLY.....	26
12A – STEERING SHAFT (UNTIL SN.82142).....	28
12B – STEERING SHAFT (FROM SN.82143).....	30
13 – WHEEL RIMS & TYRES	32
14A – HYDRAULIC DRIVE MOTORS PART 1	34
14B – HYDRAULIC DRIVE MOTORS PART 2	36
15 – HYDRAULIC HYDROPUMP LIFTING	38
16 – HYDRAULIC LIFTING	40
17 – HYDRAULIC TILT CYLINDERS	42
18 – HYDRAULIC STEERING CYLINDER	44
19 – HYDRAULIC ORBITROL / VALVE BLOCK	46
20 – LIGHTING.....	48
APPENDIX 1 – MAINTENANCE KITS.....	50

NOTES

- Use this parts catalogue when ordering parts.
- Always quote the serial number and the service number of the fork-lift truck. They are stamped on the type plate on the dashboard.
- When ordering parts always quote the correct part number and description.
- Some parts are only available complete, which is why no part number is given.
- This parts catalogue is subject to amendment without notice.

Prins Mechanisatie
Tuindersweg 37
2676 BD Maasdijk
Netherlands

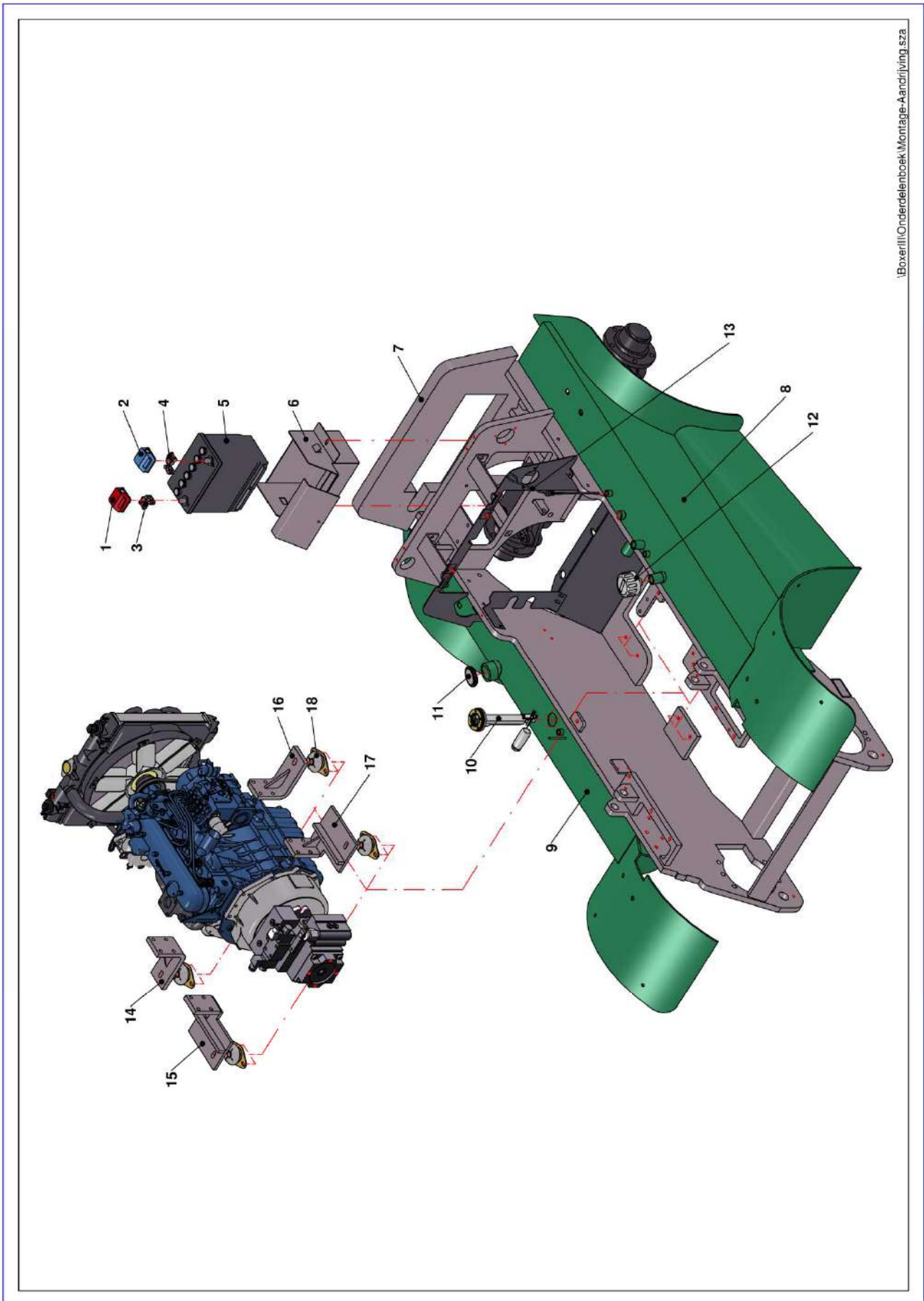
1 – SHEET METAL WORK



◀ SHEET METAL WORK

Pos.no.	Quantity	Description	Part number
1	1	Safety cage	P80.1010
2	1	Roll bar	P80.10153
3a	1	Seat GS12 HT	P12.0109
3b	1	Seat Columbus air-sprung	P12.0105
3c	1	Seat KAB211	P12.0350
4	1	Safety belt	P12.0615
5	1	Columbus arm rest	P12.0105.5
6	1	Rear cowling	P80.3002
7	2	Engine cowling hinge	P80.1669
8	1	Engine cowling accelerator spring	K3BA-50-41160
9	1	Engine cowling	P80.4001
10	2	Engine cowling handle	PA.150120
11	1	Engine cowling catch	P12.0524
12	1	Footplate	P80.00922
13	1	Dashboard	P80.6002
14	1	Horn	P01.0191

2 – DRIVE ASSEMBLY

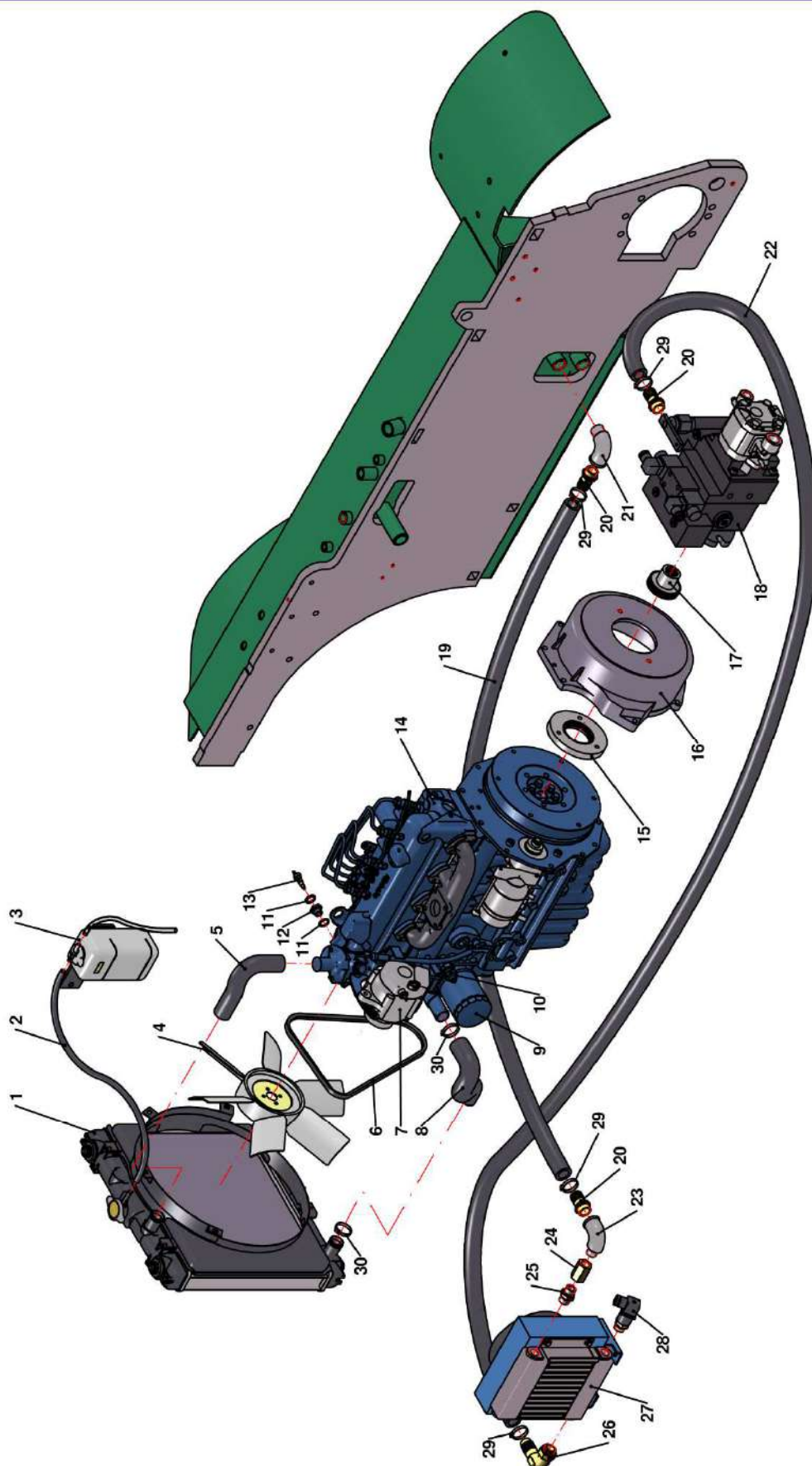


I:\BoxerIII\Onderdelenboek\Montage-Aandrijving.sz

◀ DRIVE ASSEMBLY

Pos.no.	Quantity	Description	Part number
1	1	Battery terminal guard red	P01.0058
2	1	Battery terminal guard blue	P01.0059
3	1	Battery terminal pos.	P01.0017
4	1	Battery terminal neg.	P01.0017.1
5	1	Battery 12V 45Ah 190A	P01.54577A
6	1	Battery container	P80.00381
7	1	Boxer III frame complete	P80.1000
8	1	Hydraulic tank	P80.2004
9	1	Fuel tank	P80.1001
10	1	Tank float VDO	P01.0007
11	1	Tank cap B40	P12.0021
12	1	Hydraulic tank filler cap	P02.0153
13	1	Hydraulic tank dipstick	19077.3641.0
14	1	Engine mounting short exhaust side	P80.00552
15	1	Engine mounting long exhaust side	P80.00553
16	1	Engine mounting short inlet side	P80.00562
17	1	Engine mounting long inlet side	P80.00563
18	2	Shock absorber	P10.0012

3 – DRIVE UNIT & COOLING

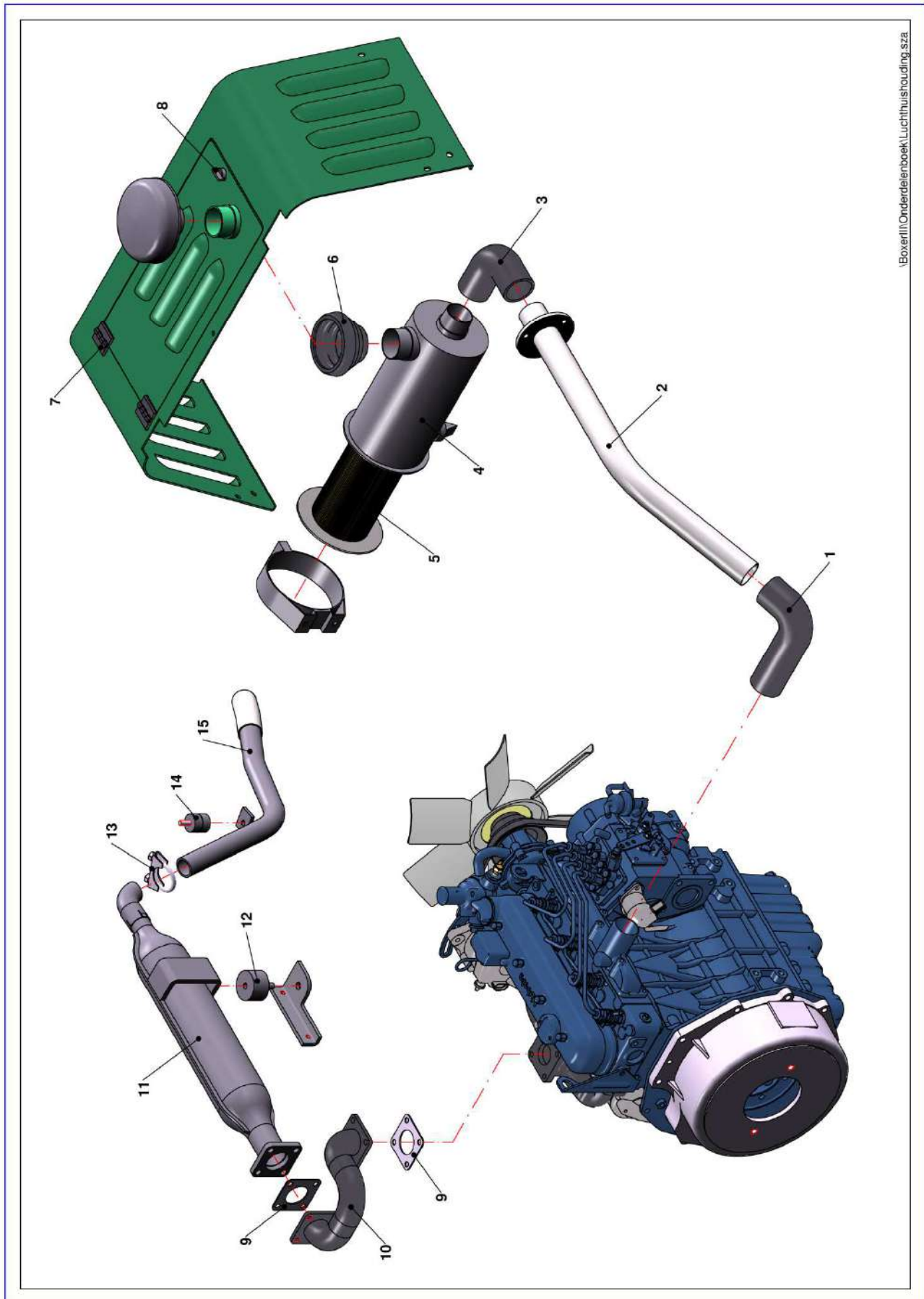


\\Boxer III\Onderdelenboek\Aandrijfunit-Koeling.sza

◀ DRIVE UNIT & COOLING

Pos.no.	Quantity	Description	Part number
1	1	Radiator	K483
2	1	Hose	19268.4252.0
3	1	Expansion tank	K294
4	1	Blowing fan	033920GC
5	1	Radiator hose upper	1K522.7294.1
6	1	V-belt	16282.9701.0
7a	1	Dynamo 40A incl. bracket	K16286.64001
7b	1	Dynamo 60A incl. bracket	K16615.64001
8	1	Radiator hose lower	1K522.7285.1
9	1	Oil filter element	16271.3209.0
10	1	Oil pressure switch	15841.3901.0
11	2	Copper ring 16x22x1.5	P03.17.16.22
12	1	Temperature sender adapter	P01.0601.5
13	1	Temperature sender	P01.0601
14	1	Kubota V1505 BBS-EC-1	M.41505.0
15	1	Drive flange	AC.SM0200
16	1	Flywheel housing	AC.05SAEB
17	1	Drive gear wheel	AC.SM0223
18	2	Adjusting pump	PH.M4PV28D235AR3BMV
19	1	Intake hose 25mm l=1550mm	P80.0160
20	3	Hose coupling 3/4" – 25mm	PH.15508000186
21	1	Angle 3/4" Inside-Outside	P03.00052
22	1	Intake hose 25mm l=1850mm	P80.0161
23	1	Angle 3/4" Inside – 1/2" Outside	P03.00038
24	1	Adapter 1/2x35mm	PA.12.9.9
25	1	Male threaded coupling 1/2" - 1/2"	H.0101
26	1	Connector 3/4"-25mm-90°	PH.15510000181
27	1	Cooler	Ok2010k12201KR
28	1	Temperature sensor	OK95060KR
29	4	Hose clamp	
30	2	Hose clamp	

4 – AIR MANAGEMENT

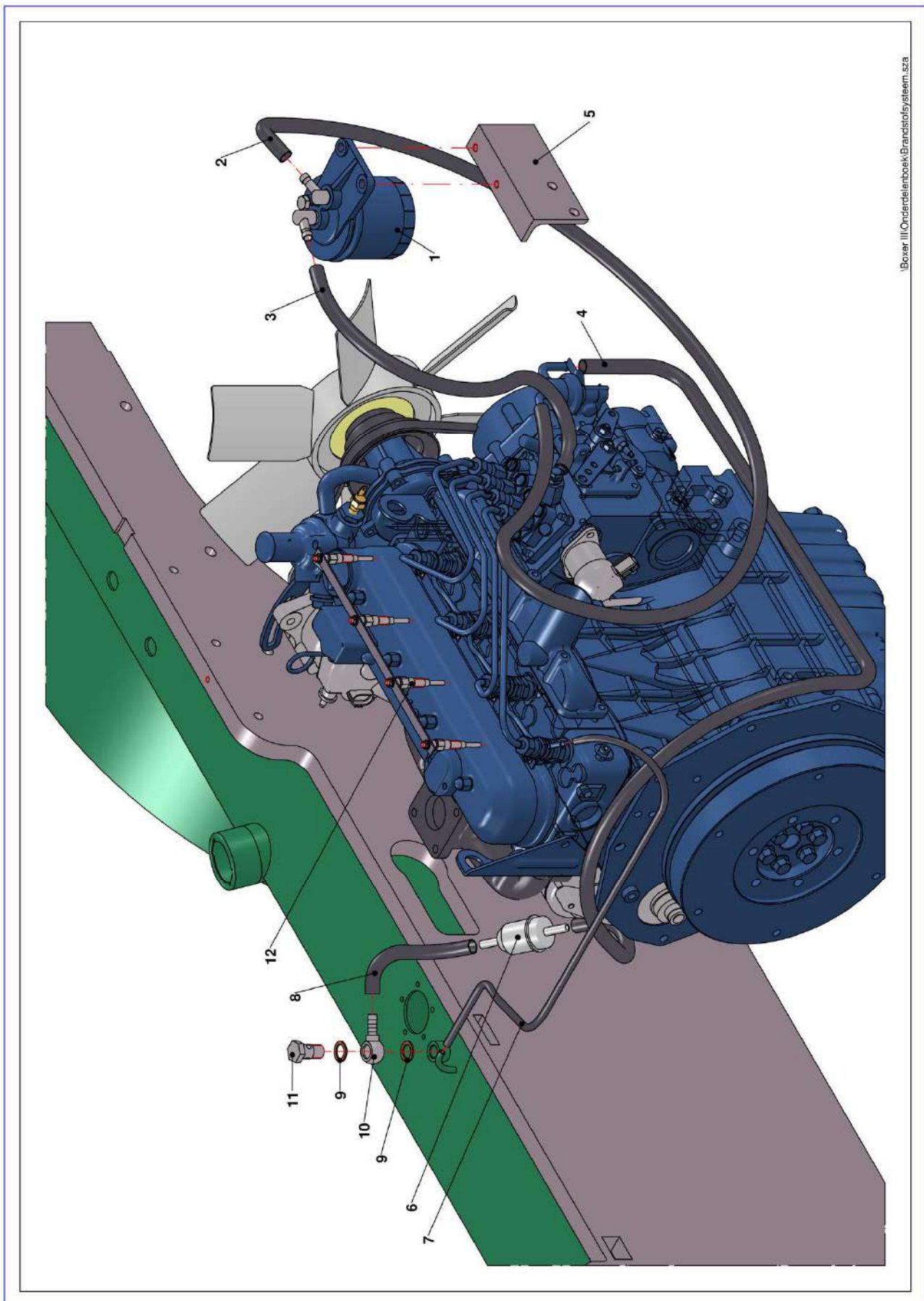


I:\BoxerIII\Onderdelenboek\Luchthuishouding.sza

◀ AIR MANAGEMENT

Pos.no.	Quantity	Description	Part number
1	1	Hose inlet manifold	P80.2082
2	1	Air intake tube	P80.5101
3	1	Air filter hose	P80.2080
4	1	Air filter incl. bracket and cover	K16615.11001
5	1	Air filter element	15741.1108.0
6	1	Rubber sleeve	V.103797
7	2	Rear cover hinge	P80.410
8	1	Rear cover catch	P80.0800
9	2	Exhaust gasket	15263.1237.0
10	1	Boxer III exhaust reducer	P80.00391
11	1	Exhaust silencer complete	P80.2203
12	1	Shock absorber	P10.0012
13	1	Exhaust clamp 38mm	P12.0224
14	1	Shock absorber	P10.0017.1
15	1	Exhaust pipe	P80.22003

5 – FUEL SYSTEM

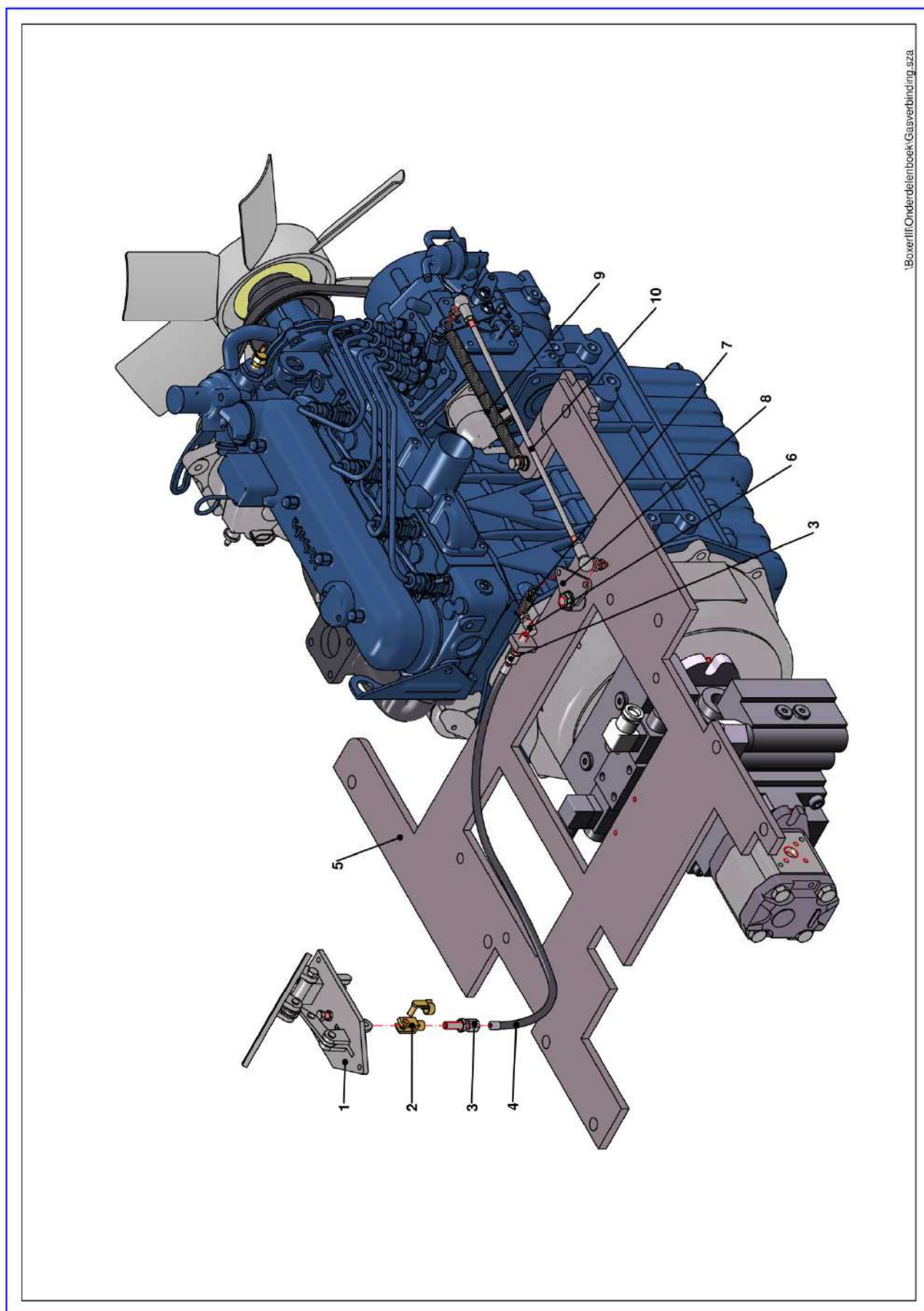


Boxer III Onderdelenboek Grandstofsysteem.sza

◀ FUEL SYSTEM

Pos.no.	Quantity	Description	Part number
1	1	Fuel filter	16613.4300.0
2	1	Fuel hose 8mm int. l=750mm	P12.0528
3	1	Fuel hose 8mm int. l=250mm	P12.0528
4	1	Fuel hose 8mm int. l=1000mm	P12.0528
5	1	Fuel filter mounting	P80.00601
6	1	Fuel filter FT-5167	P11.1030.1
7	1	Fuel hose l=700mm	19268.4252.0
8	1	Fuel hose 8mm int. l=250mm	P12.0528
9	2	Copper ring 14x20x1.5	P12.0387
10	1	Banjo eye 1/4"	P2.102020404
11	1	Banjo bolt 1/4"	H.1302
12	4	Preheat plug	16851.6551.0

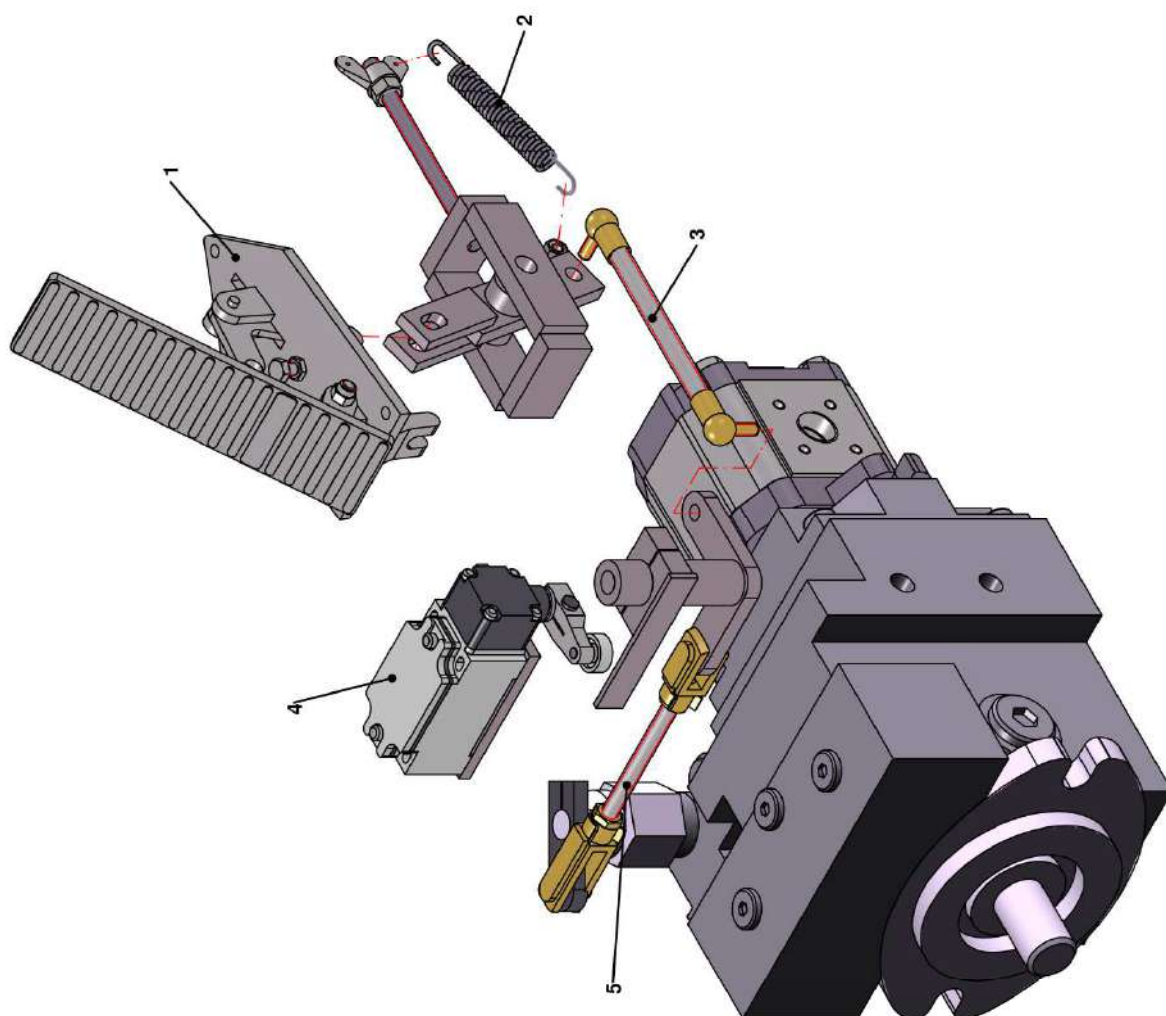
6 – ACCELERATOR CONNECTION



◀ ACCELERATOR CONNECTION

Pos.no.	Quantity	Description	Part number
1	1	Accelerator pedal	P12.220012
2	1	Fork M6 short	LA.570.0934
3	2	Cable kit bolt	P12.10002
4a	1	Outer cable	P12.10050.1
4b	1	Inner cable	P12.10050.2
5	1	Floor plate	P80.00202
6	1	Cable clamp	P12.0031
7	1	Draw spring	P12.0252
8	1	Accelerator siphon	P80.0109
9	1	Draw spring	P12.0850
10	1	Accelerator rod	P80.600.5

7 – BRAKE CONNECTION

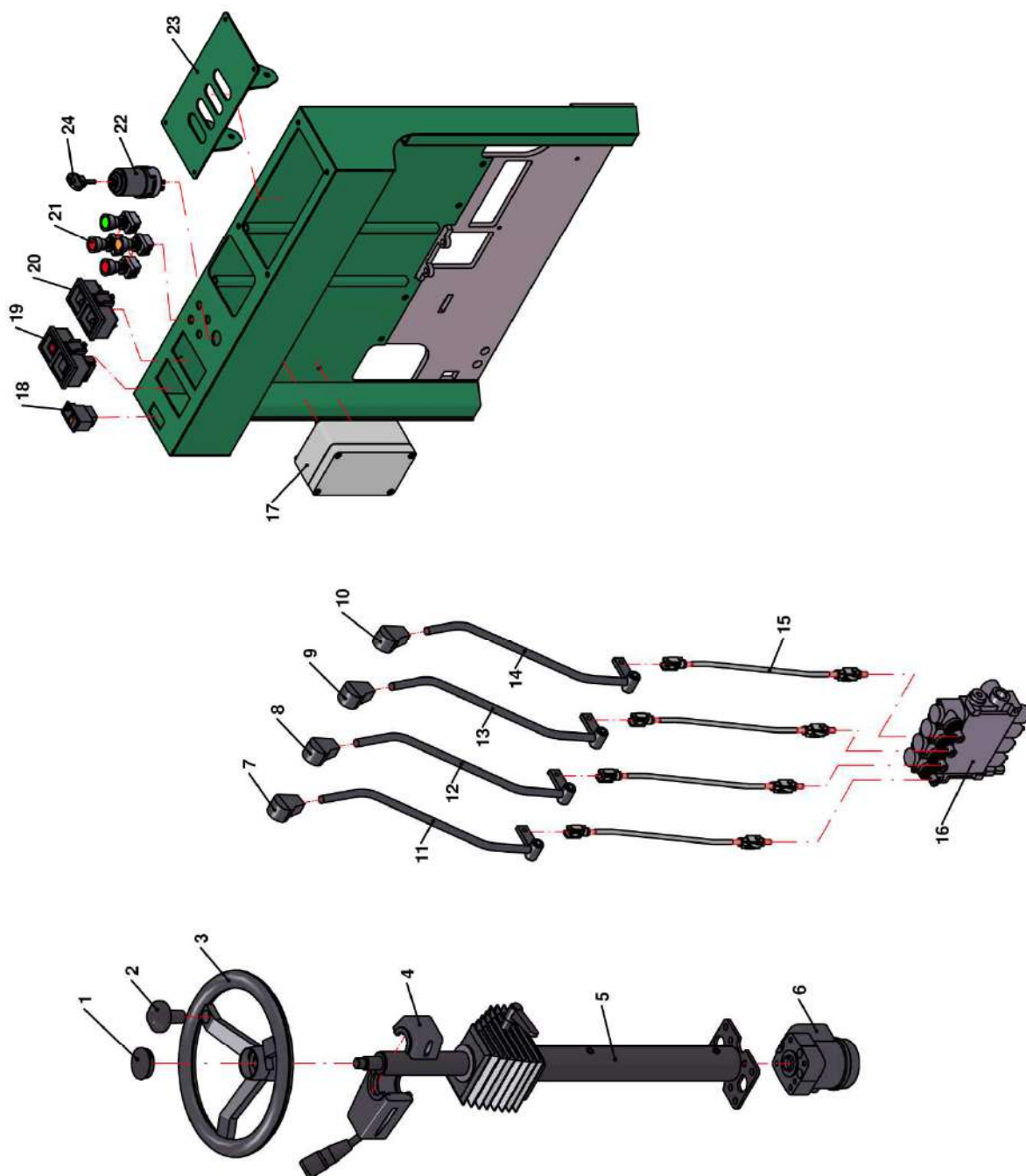


I:\BoxerIII\Onderdelenboek\Remverbinding.sza

◀ BRAKE CONNECTION

Pos.no.	Quantity	Description	Part number
1	1	Brake pedal	P12.220012
2	1	Draw spring	P12.0252
3	1	Fork connection	P80.1800
4	1	Brake switch	6420947TU
5	1	Fork connection	P80.1801

8 – DASHBOARD

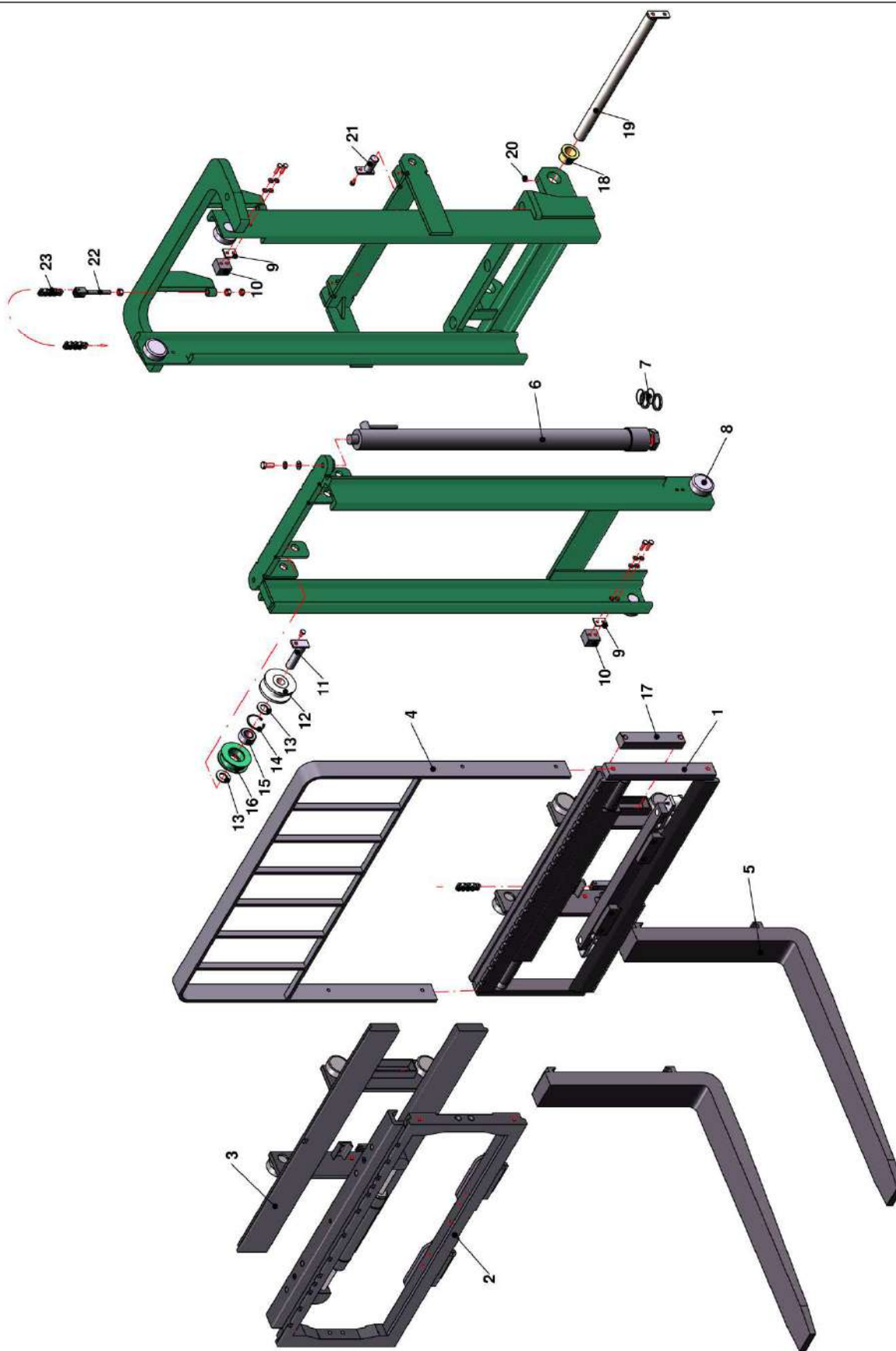


\\BoxerIII\Onderdelenboek\Dashboard.sza

◀ DASHBOARD

Pos.no.	Quantity	Description	Part number
1	1	Steering column cap	P12.13031
2	1	Steering knob	P12.13030.1
3	1	Steering wheel	P12.13030
4	1	Forward/Reverse switch	P01.13027
5	1	Steering column	P02.2002
6	1	Orbitrol	P02.0019
7	1	Lift button	PA.150122
8	1	Tilt button	PA.150123
9	1	Side shift button	PA.150125
10	1	Fourth tool button	PA.150124
11	1	Lift handle	P80.2096
12	1	Tilt handle	P80.2094
13	1	Side shift handle	P80.2092
14	1	Fourth tool handle	P80.2090
15	4	Intermediate handle	P80.0017
16	1	Valve block	PH.D06DE4BACDZ180132
17	1	Fuse box	P80.6375065
18	1	Handbrake switch	262120CE
19	1	Hour meter/Control lamps	P01.0602
20	1	Fuel/Temperature gauge	P01.0600
21	4	Pull switch	P01.0014.1
22	1	Ignition lock + ignition key	AC.13102
23	1	Handle holder	P80.600.4
24	1	Ignition key	AC.13104

9 – MAST

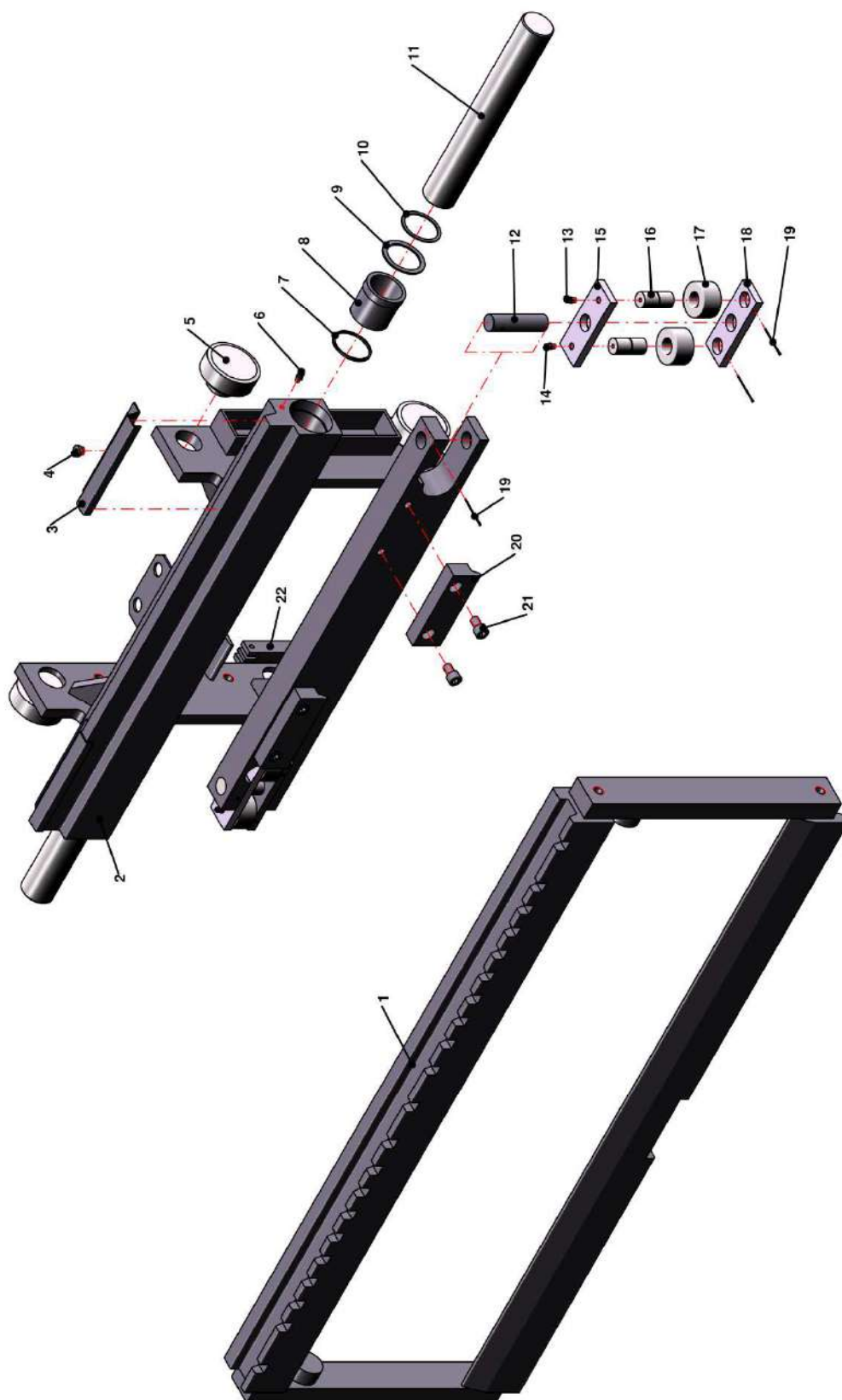


I:\Boxer III\Onderdelenboek\Hefmast.sza

◀ MAST

Pos.no.	Quantity	Description	Part number
1	1	Fork positioner with integrated Side-Shift	P80.1050
2	1	Side-Shift 1020mm for Attached fork positioner	55F-SSE-029
3	1	Attached fork positioner	P80.54545
4	1	Load rack	P80.1052
5	2	Fork l=1000mm	V100x35x10002
	2	Fork l=1200mm	V100x35x12002
6	2	Lift cylinder Mast 1780mm (M36 nut)	P80.0080
	2	Lift cylinder Mast 2800mm (M36 nut)	P80.0090
7	~	Revision kit Lift cylinder	DC253050000KR
8	8	Mast bearing	P15.0032
9a	4	Filler plate thickness = 6mm	P80.0122
9b	4	Mast shim	P80.0048
10	4	Mast sliding block	PA.12.4.13
11	1 / 2	Mast roller locking pin	P80.105
12	1 / 2	Hydro hose guide roller	PA.12.4.5
13	2 / 4	Flat washer M24	P03.11.24.00
14	1 / 2	Seeger ring hole 52x2	P03.08.J52.00
15	1 / 2	Bearing 3205-2RS1	L.3205.2RS
16	1 / 2	Chain wheel	PA.12.4.4
17	2	Fork skid plate sliding block	PA.100910
18	2	Bronze bearing	PA.100800
19	1	Mast/frame shaft	P80.1803
20	2	Lubricating nipple M6	P03.00007
21	2	Tilt cylinder/Mast locking pin	P80.107
22	2	Anchor bolt BL544 complete	PA.100110.3
23	2	Lift chain BL544 Mast 1780mm – 45 links	PA.100110.2
	2	Lift chain BL544 Mast 2800mm – 61 links	PA.100110.2
	2	Lift chain BL544 Mast 3000mm – 63 links	PA.100110.2
	2	Lift chain BL544 Mast 3200mm – 67 links	PA.100110.2

10A – INTEGRATED SIDE SHIFT



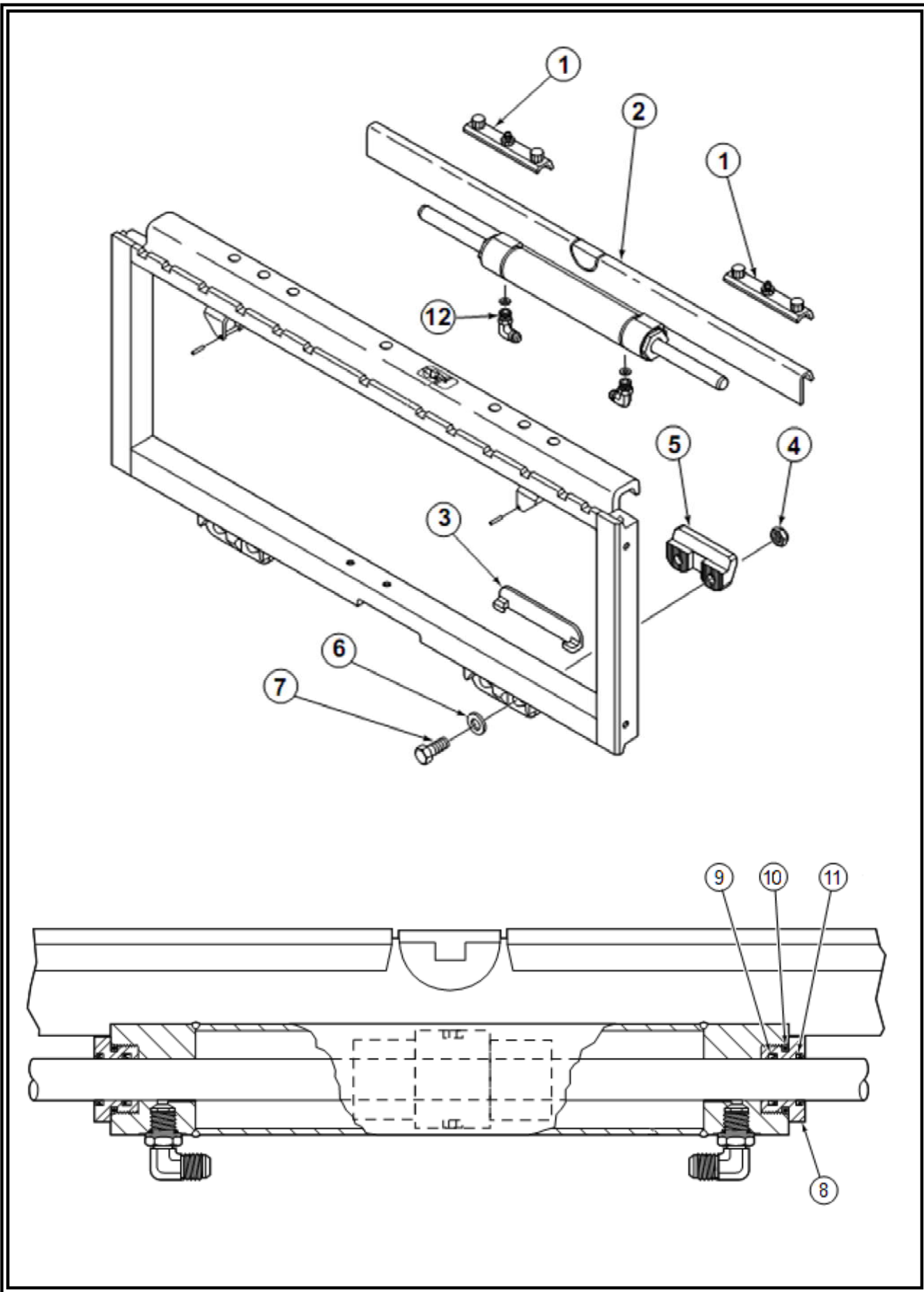
Boxer III/Onderdelenboek/Side-Shift.sza

◀ INTEGRATED SIDE SHIFT

Pos.no.	Quantity	Description	Part number
1	1	Mobile frame	101230056CBO
2	1	Fixed frame	101220436CBO
3	2	Upper plate	101230420CBO
4	2	Upper plate fixing	101230421CBO
5	4	Mast bearing	P15.0032
6	2	Lubricating nipple	47065007BO
7	2	Gasket	41041326BO
8	2	Sliding block	101230003CBO
9	2	Ring	41041327BO
10	2	Elastic ring	42038101BO
11	2	Cylinder rod	101230004CBO
12	2	Shaft	101230035ZBO
13	2	Lubricating nipple	47065001BO
14	2	Lubricating nipple	47065006BO
15	2	Bearing holder upper	101230030ZBO
16	4	Shaft	101230029ZBO
17	4	Guide bearing	40033053BO
18	2	Bearing holder lower	101230031ZBO
19	4	Locking pin	46063017BO
20	2	Locking plate lower	101230198CBO
21	4	Bolt	44046501BO
22	2	End block	PA.100110.1

Pos.nos.	Kit	Part number
	Side shift complete	P80.1050
12-19	Guide right	141230032CBO
12-19	Guide left	141230033CBO

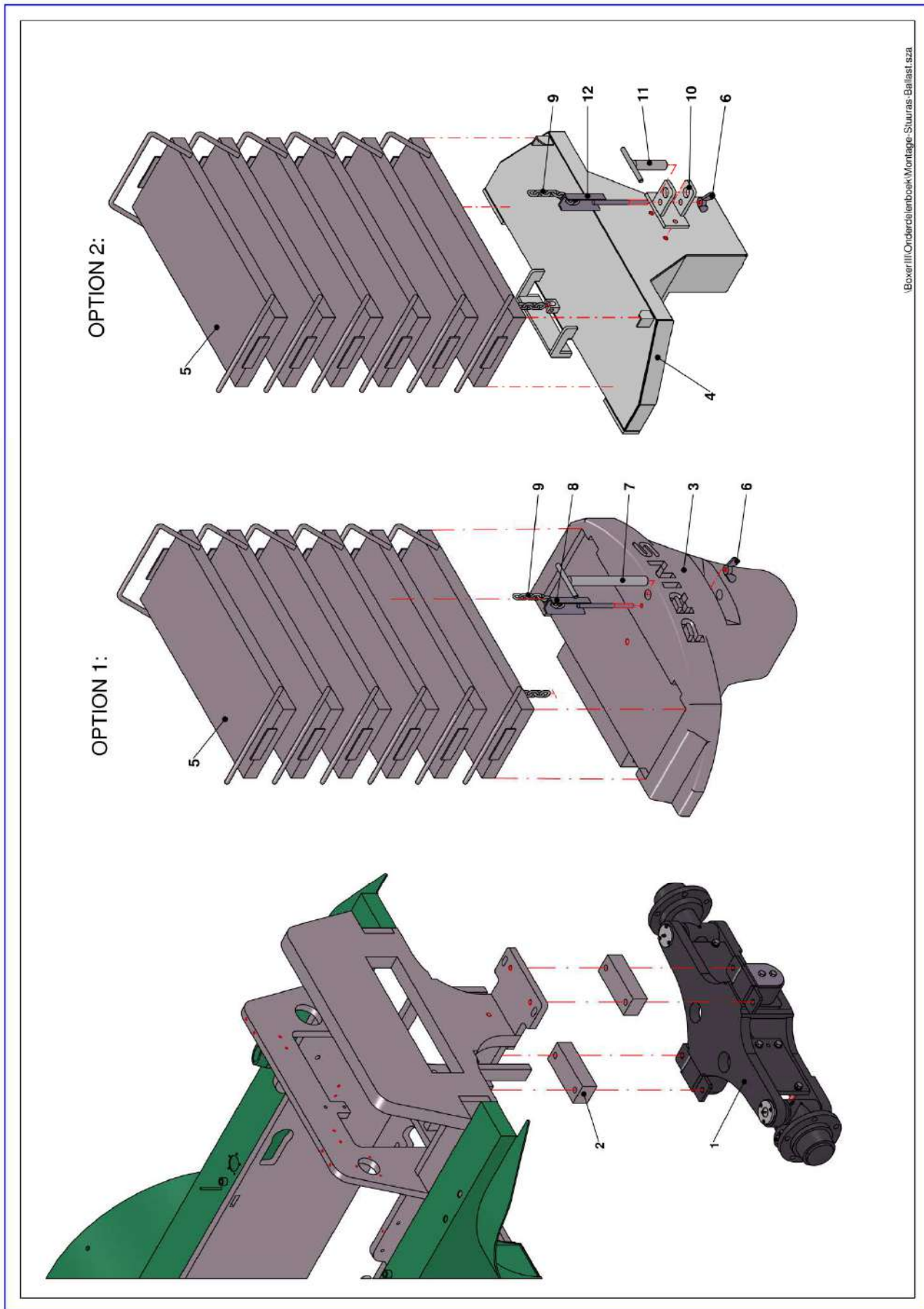
10B – SIDE SHIFT ATTACHED FORK POSITIONER



◀ SIDE SHIFT ATTACHED FORK POSITIONER

Pos.no.	Number	Description	Item number
1	2	Sliding strip top	228782CA
2	1	Side Shift cylinder	SP210061CAS
3	2	Plain bearing bottom	225570CA
4	4	Nut M16x2	P80.1050.15
5	2	Sliding strip bottom	204186CA
6	4	Washer	P80.1050.16
7	4	Bolt M16x45	P80.1050.32
8	2	Seal cylinder	P80.1050.18
9	2	Cap cylinder rod	P80.1050.21
10	2	O Ring seal	P80.1050.20
11	2	Seal	P80.1050.19
12	2	Threaded fitting	P80.1050.17

11 – STEERING SHAFT & BALLAST ASSEMBLY

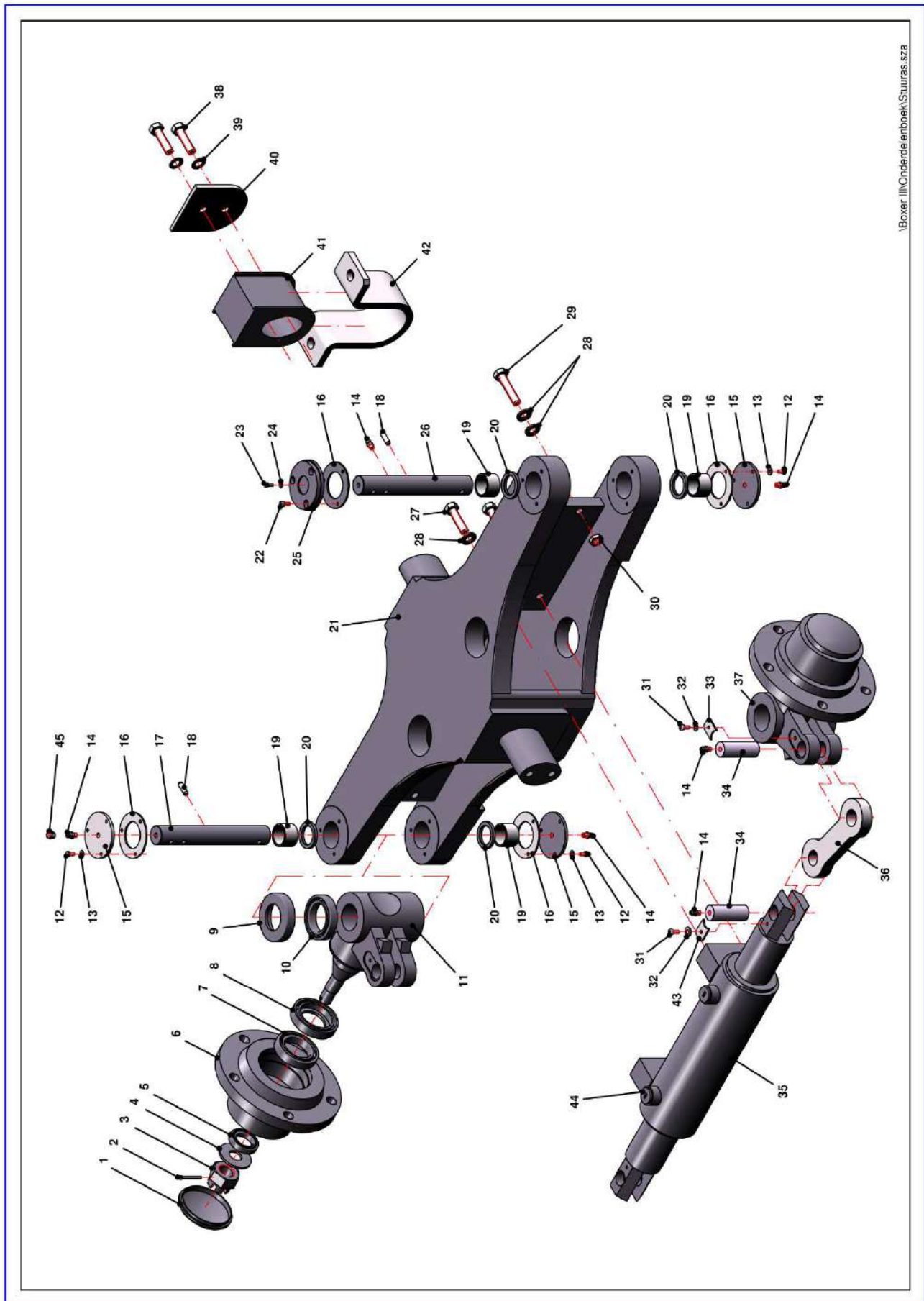


Boxer III Onderdelenboek Montage Stuuras Ballast.sca

◀ STEERING SHAFT & BALLAST ASSEMBLY

Pos.no.	Quantity	Description	Part number
1A	1	Steering shaft complete (until SN.82142)	P80.2002
1B	1	Steering shaft complete (from SN.82143)	43110FPD1071
2	2	Shaft assembly block thickness = 45mm	P80.0097
<i>OPTION 1:</i>			
3	1	Counterweight solid	P80.12001
<i>OPTION 2:</i>			
4	1	Dummy weight 45 kg	P80.12002.1
5	~	Ballast plate 50 kg	P12.50047
6	1	Chain tensioner nut	P12.50051
7	1	Tow bar pin solid counterweight	P80.12003
8	1	Chain tensioner solid counterweight	P80.12002
9	1	Chain for weights	P12.0041
10	1	Tow bar	P80.0093
11	1	Tow bar pin dummy weight	P12.50202
12	1	Chain tensioner dummy weight	P12.50050

12A – STEERING SHAFT (UNTIL SN.82142)



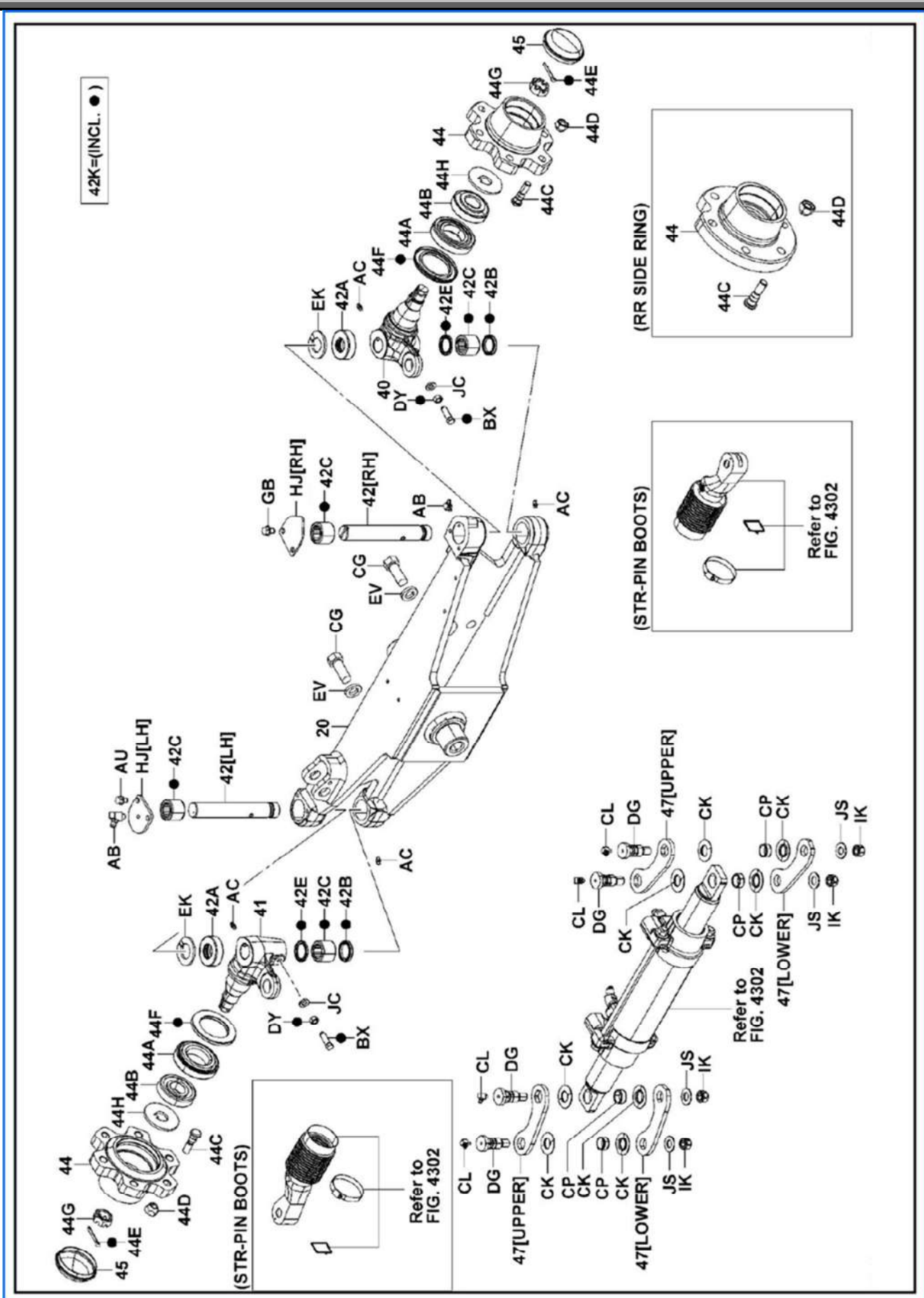
\\Boxer III\Onderdelenboek\Stuuras.sza

◀ STEERING SHAFT (UNTIL SN.82142)

Pos.no.	Quantity	Description	Part number
1	2	Cover	P80.2020
2	2	Split pin	P80.2021
3	2	Nut M24x2	P80.2022
4	2	Ring	P80.2023
5	2	Bearing	P80.2024
6	2	Hub	P80.2025
7	2	Bearing	P80.2026
8	2	Retaining ring	P80.2027
9	2	Dust cover	P80.2028
10	2	Bearing	P80.2029
11	1	Stub axle left	P80.2030
12	9	Screw M5x16	P80.2031
13	9	Ring	P80.2032
14	6	Lubricating nipple M6	P80.2033
15	3	Cover	P80.2034
16	4	Gasket	P80.2035
17	1	Stub axle pin left	P80.2036
18	2	Pin	P80.2037
19	4	Bearing	P80.2038
20	4	Sealing ring	P80.2039
21	1	Steering shaft housing	P80.2040
22	3	Screw	P80.2041
23	1	Shaft	P80.2042
24	1	Nut M6	P80.2043
25	1	Supporting ring	P80.2044
26	1	Stub axle pin right	P80.2045
27	4	Bolt M12x35	P80.2046
28	8	Ring M12	P80.2047
29	2	Bolt M12x50	P80.2048
30	2	Nut M12	P80.2049
31	4	Screw M6x14	P80.2050
32	4	Ring	P80.2051
33	2	Locking plate stub axle	P80.2052
34	2	Steering cylinder pin	P80.2053
35	1	Steering cylinder	P80.2054
36	2	Stub axle connecting rod	P80.2055
37	1	Stub axle right	P80.2056
38	4	Bolt M10x25	P80.2057
39	4	Washer	P80.2058
40	2	Locking plate rubber	P80.2059
41	2	Rubber steering shaft	P80.2060
42	2	Rubber mounting	P80.2061
43	2	Cylinder locking plate	P80.2062
44	2	Plug	P80.2063
45	6	Cap for lubricating nipple	P80.2064

Pos.nos.	Kit	Part number
1-44	Steering shaft complete	P80.2002
38-42	Shaft tilt kit steering shaft	P80.2100
30-31; 35; 44	Cylinder kit steering shaft	P80.2300
2-4; 9-11; 17-18	Stub axle left complete	P80.2400
2-4; 9-10; 14; 18; 23-24; 26; 37	Stub axle right complete	P80.2500
1; 5-8	Hub complete	P80.2600
14; 31-34; 36; 43	Connecting rod kit	P80.2700

12B – STEERING SHAFT (FROM SN.82143)

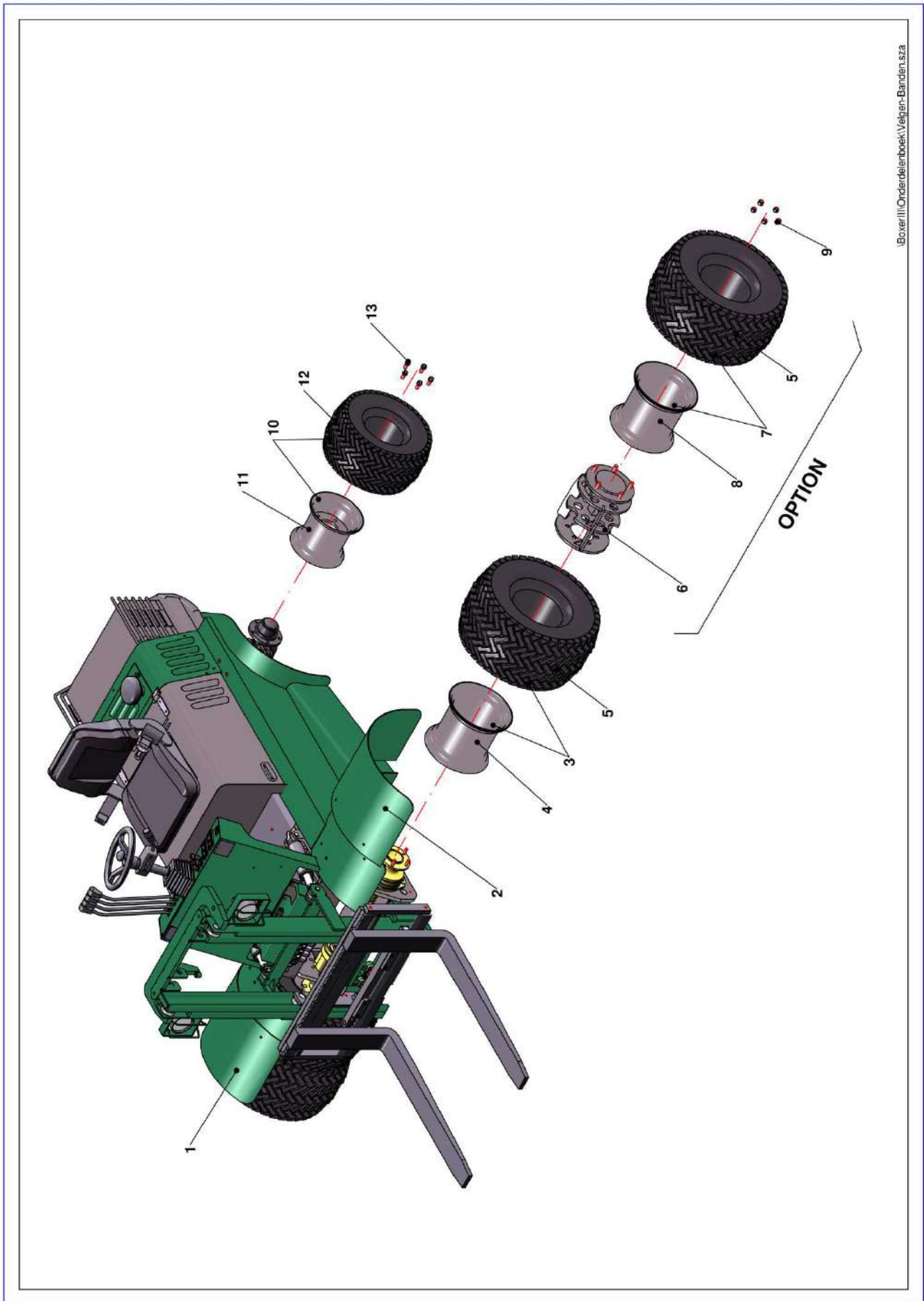


◀ STEERING SHAFT (FROM SN.82143)

Pos.no.	Quantity	Description	Part number
20	1	Beam sub-assy, RR axle	43101F118071
40	1	Knuckle, steering, RH	43251F110071
41	1	Knuckle, steering, LH	43261F110071
42	2	Pin, steering knuckle king	43232F218071
42A	2	Bearing, steering knuckle thrust	432291331071
42B	2	Seal, oil, nø1	432332332071
42C	4	Bearing, needle	432282332071
42E	2	Seal, oil, nø2	432422332071
42K	2	Seal kit, king pin	44321012071
44	2	Hub, rear axle	438131200071
44	2	Hub, rear axle with side rings	438111048171
44A	2	Bearing, inner	903664510471
44B	2	Bearing, outer	976003030671
44C	12	Bolt, hub	901141201271
44D	12	Nut, hub	901791200471
44E	2	Pin, rr axle cotter	853817603871
44F	2	Seal, oil	438212200071
44G	2	Nut, castle	901712411671
44H	2	Washer, claw	431552054071
45	2	Cap, rear axle hub	438212054071
47	2	Tie-rod upper	437512344071
47	2	Tie-rod, lower	437522344271
AB	1	Grease nipple	964560060971
AC	5	Grease nipple	964510060071
AU	2	Bolt	815517600971
BX	2	Bolt	901091001571
CG	4	Bolt	911626148571
CK	8	Washer, claw	437552344071
CL	4	Fitting	964560060971
CP	4	Collar	437352344071
DG	4	Pin	437312344271
DY	2	Nut	901701000271
EK	0	Spacer [t=3,0]	432212342071
EK	0	Spacer [t=4,0]	432232342071
EK	0	Spacer [t=3,5]	432222342071
EK	0	Spacer [t=4,5]	432242342071
EV	4	Washer	902041800271
GB	2	Bolt	815517600971
HJ	1	Plate, RH	43237FPD2071
HJ	1	Plate, LH	432371331071
IK	4	Nut, self lock	901791400271
JC	2	Washer	902041000371
JS	4	Washer	846127600171

Pos.no	Kit	Part number
01	Steering shaft complete	43110FPD1071
01	Steering shaft complete w/ side ring	43120FPD1071
01	Steering shaft complete w/ Str-pin boots	43130FPD1071
01	Steering shaft complete w/ Str-pin boots and side ring	43140FPD1071

13 – WHEEL RIMS & TYRES

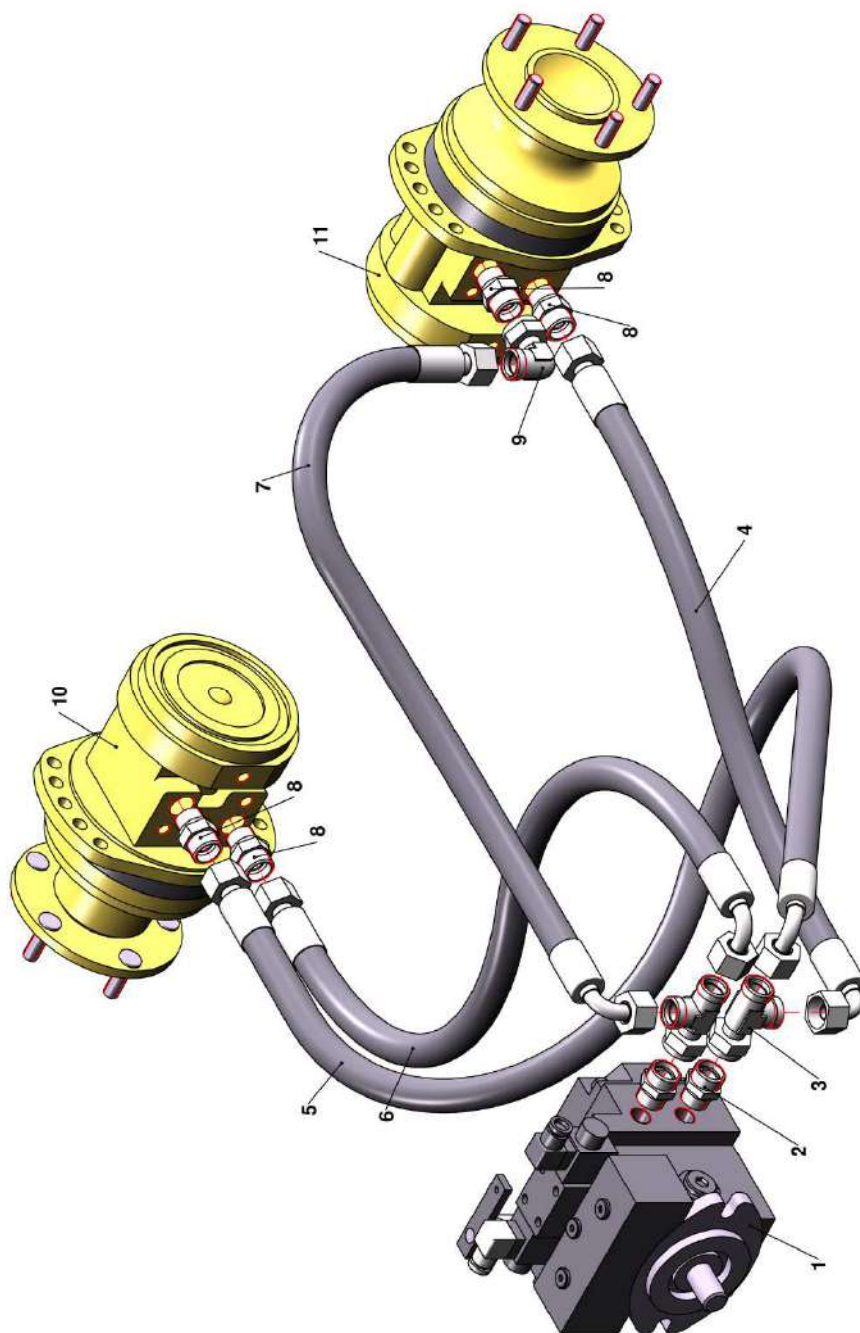


◀ WHEEL RIMS & TYRES

Pos.no.	Quantity	Description	Part number
1	1	Front screen double pneumatic right	P80.8001
2	1	Front screen double pneumatic left	P80.7001
3	2	Front wheel 295/50/15 complete	PH.0050
4	2	Front wheel rim 295/50/15	PH.0051
5	2 / 4	Front tyre 295/50/15	P04.01214
6	2	Semi-freewheel shaft for double pneumatic (optional)	PH.2065.10
7	2	Front wheel 295/50/15 complete outer wheel (optional)	PH.0050BU
8	2	Front wheel rim 295/50/15 for the outer wheel (optional)	PH.0051BU
9	10	Wheel nut	PA.100011A
11A	2	Rear wheel rim 24x13.00-12 (until SN.82142)	P04.31000
11B	2	Rear wheel rim 10.5x12 (from SN.82143)	PC.0008
12	2	Rear tyre 24x13.00-12	P04.012135
13	10	Wheel bolt	P80.1060.5

Pos.no.	Kit	Part number
10A	Rear wheel 23/12.50x12 complete	PE.0051

14A – HYDRAULIC DRIVE MOTORS PART 1

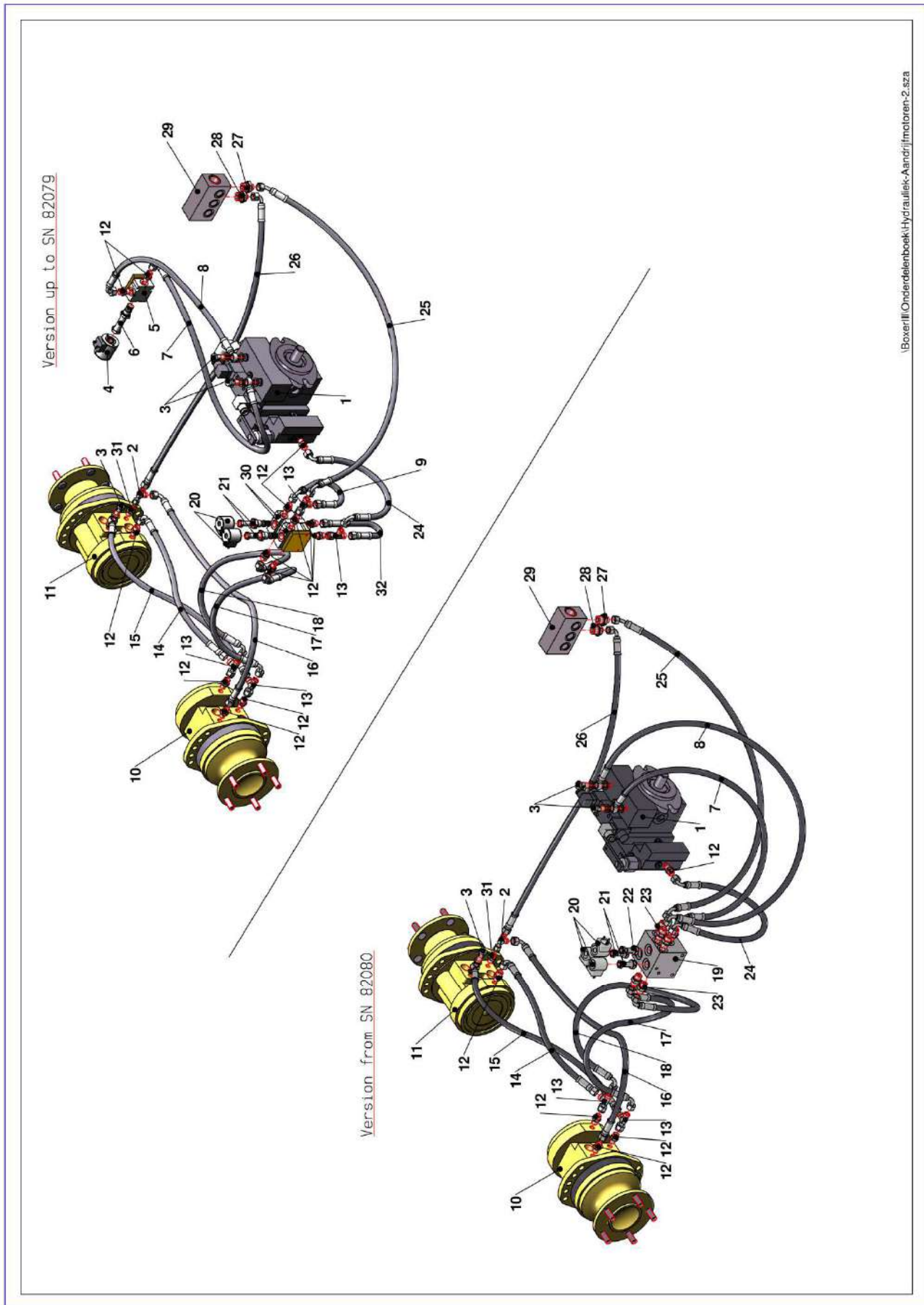


BoxerIII\Onderdelenboek\Hydrauliek-Aandrijfmotoren-1.sza

◀ HYDRAULIC DRIVE MOTORS PART 1

Pos.no.	Quantity	Description	Part number
1	1	Control pump	PH.M4PV28D235AR3BMV
2	2	Male threaded coupling $\frac{3}{4}$ - 20	H.0333
3	2	T-adjuster 20mm	H.1115
4	1	Hydraulic hose no. 35	PH.2131
5	1	Hydraulic hose no. 51/52	PH.2129
6	1	Hydraulic hose no. 51/52	PH.2130
7	1	Hydraulic hose no. 36	PH.2131
8	4	Male threaded coupling $\frac{1}{2}$ - 20	H.0332
9	1	Angle adjuster 20mm	H.1212
10	1	Travel motor left	PH.A35919S
11	1	Travel motor right	PH.A35961P

14B – HYDRAULIC DRIVE MOTORS PART 2



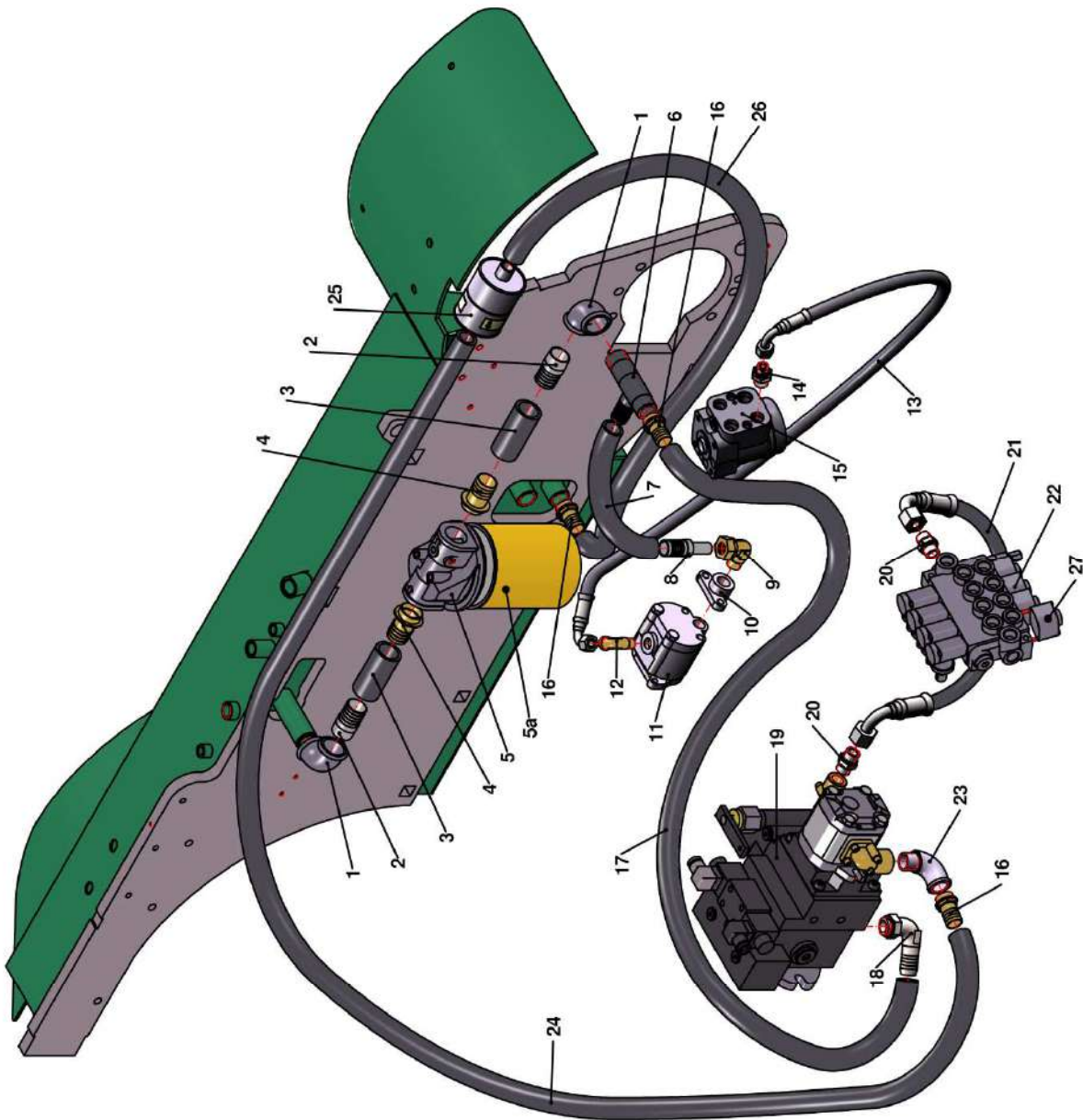
\\BoxerIII\Onderdelenboek\Hydrauliek-Aandrijfmechanisme-2.sza

◀ HYDRAULIC DRIVE MOTORS PART 2

Pos.no.	Number	Description	Item number
1	1	Hydraulic pump	PH.M4PV28D235AR3BMV
2	1	T-fitting 8mm	H.1109
3	3	Banjo bolt ¼"	H.1302
4	1	Coil 12 VDC 18 08 PC	PH.4305882
5	1	2-way valve	PH.7028230
6	1	Cartridge SV10-24-0-N-00	PH.SV10-24-0-N-0
7	1	Hydraulic hose no. 92	PH.2125
8	1	Hydraulic hose no. 93	PH.2124
9	1	Hydraulic hose no. 7	PH.2107
10	1	Left drive motor	PH.A06482V
11	1	Right drive motor	PH.A06479S
12	5~13	Threaded fitting ¼" – 10	H.0314
13	2~4	T-fitting 10mm	H.1118
14	1	Hydraulic hose no. 4	PH.2103
15	1	Hydraulic hose no. 24	PH.2123
16	1	Hydraulic hose no. 2	PH.2101
17	1	Hydraulic hose no. 45	PH.2111
18	1	Hydraulic hose no. 5	PH.2104
19	1	Manifold with cartridges	PH.5000
20	2~3	Coil 12 VDC 08 EG	PH.4305862
21	2	Cartridge SV08-30-0-N-00	PH.SV08-30-0-N-0
22	1	Cartridge SV08-24-0-N-00	PH.SV08-24-0-N-0
23	6	Threaded fitting 3/8" – 10	H.0317
24	1	Hydraulic hose no. 3	PH.2102
25	1	Hydraulic hose no. 50	PH.2134
26	1	Hydraulic hose no. 41	PH.2100
27	2	Threaded fitting ½" x 10	H.0310
28	1	Threaded fitting ½" x 8	H.0343
29	1	Return block	PH.0018
30	2	Brake manifold	PH.7028720
31	1	Threaded nipple ¼" - 8	H.0315
32	1	Hydraulic hose no. 0	PH.21000



15 – HYDRAULIC HYDROPUMP LIFTING

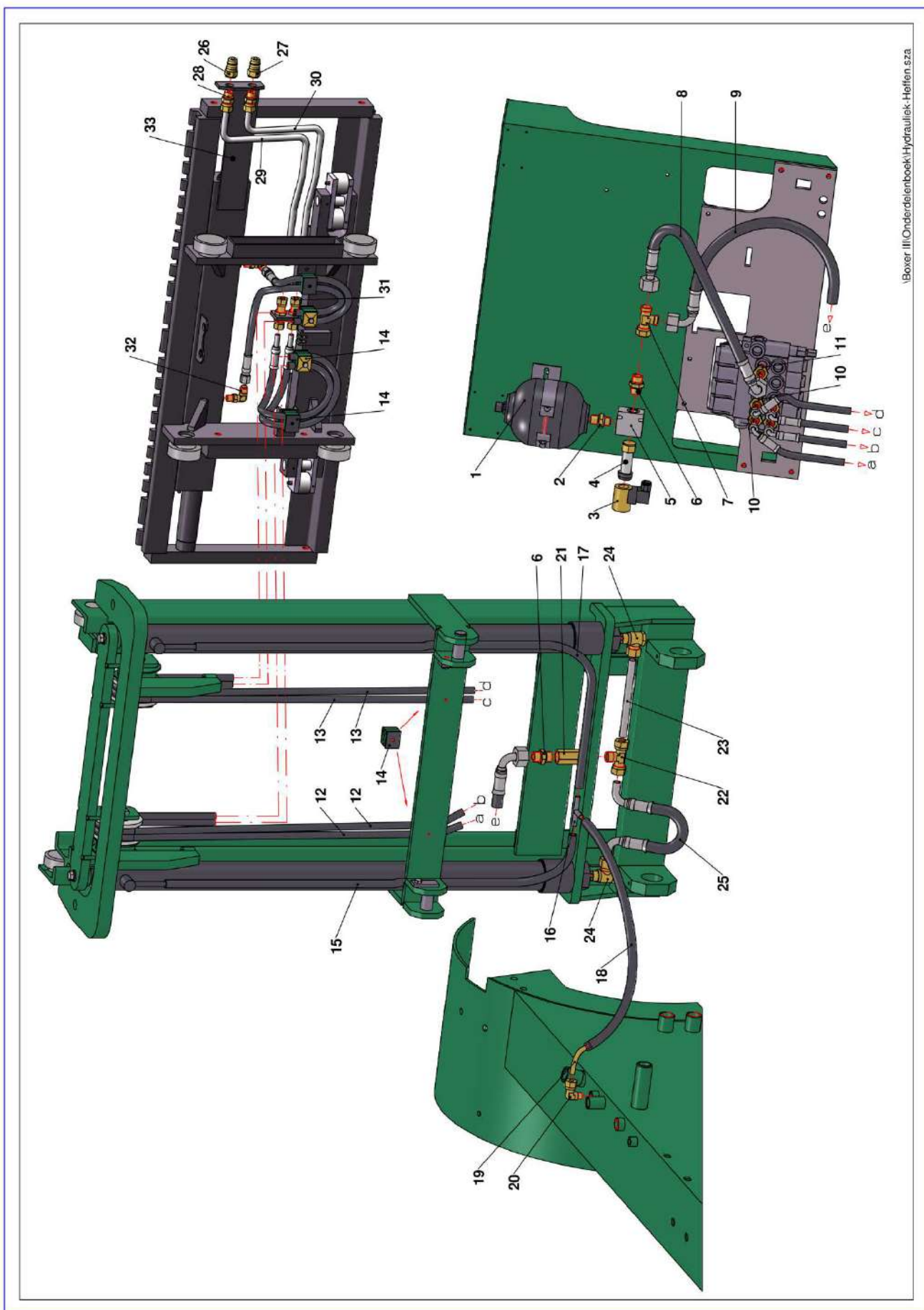


Boxer III Onderdelenboek Hydrauliek-Hydropomp-Heffen.sza

◀ HYDRAULIC HYDROPUMP LIFTING

Pos.no.	Quantity	Description	Part number
1	2	Angle 1" Inside-Inside	P02.0160
2	2	Intake nipple	P80.202
3	2	Intake hose 31mm int. l=85mm	P2.051120
4	2	Brass hose coupling 1¼" x 32mm	6037380
5	1	Suction filter	MPS100SP25KA
5a	1	Suction filter element	CS100P25KA
6	1	T-piece suction pipe	P80.0099
7	1	Intake hose 25mm l=300mm	P2.051116000
8	1	Reducing steering pump	P80.2220
9	1	Male threaded coupling 1/2-18-90°	H.0328
10	1	Hydropump flange	16678.8385.0
11	1	Hydropump Kubota	K178
12	1	Male threaded coupling 3/8-12-90°	H.0306
13	1	Hose 87	P80.704
14	1	Reducing nipple 1/2-12	H.0311
15	1	Orbitrol	P02.0019
16	2	Brass hose coupling 3/4" x 25mm	P03.00062
17	1	Intake hose 25mm l=550mm	P02.051116000
18	1	Connector 3/4" x 25mm 90°	PH.15510000181
19	1	Control pump	PH.M4PV28D235AR3BMV
20	2	Reducing nipple 1/2-15	H.0313
21	1	Hose 49	P80.25150
22	1	Valve block	PH.DO6DE4BACDZ180126
23	1	Angle 3/4" Inside-Outside	P03.00052
24	1	Hydrohose 22mm int. l=800mm	P2.051222X30
25	1	Hydrofilter	P20.00018
26	1	Hydrohose 22mm int. l=900mm	P2.051222X30
27	8	Cap vale block	PH.D057010817R

16 – HYDRAULIC LIFTING

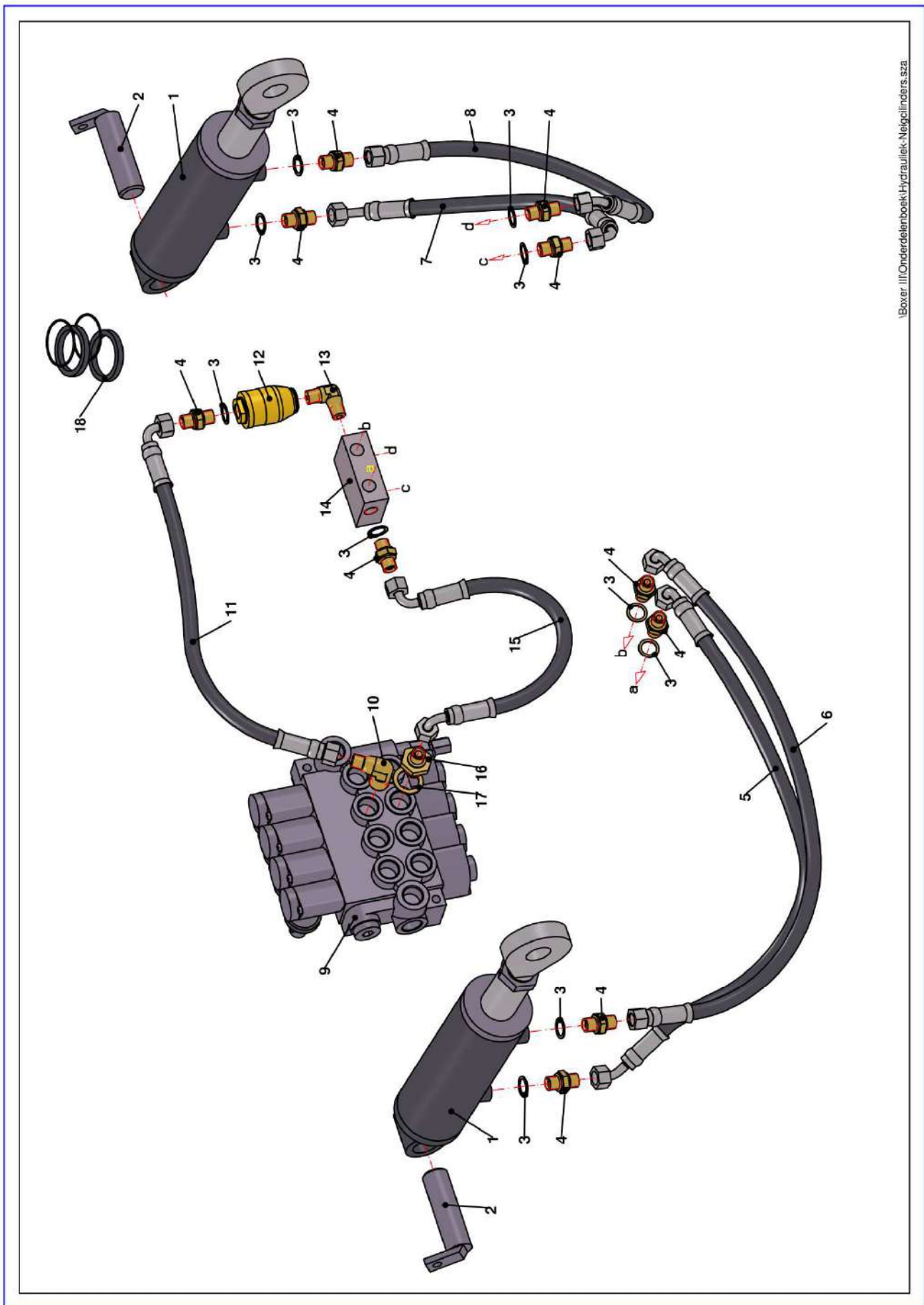


Boxer III(Onderdelenboek)Hydrauliek-Heffen.sza

◀ HYDRAULIC LIFTING

Pos.no.	Quantity	Description	Part number
1a	1	Accumulator 20 BAR incl. bracket	H1000R20BAR
1b	1	Accumulator 50 BAR incl. bracket	H1000R50BAR
2	1	Adapter 1/2-1/2	H.0101
3	1	Electric valve 12V	PE.0048.2
4	1	Cartridge	PE.0048
5	1	2-way valve	PH.7028230
6	2	Male threaded coupling 1/2-15	H.0313
7	1	T-coupling 15mm	H.1111
8	1	Hose 77	P80.1804
9	1	Hose 78	P80.1805
10	4	Reducing nipple 3/8-10	H.0317
11	1	Reducing nipple	H.0322
12	2	Hose 60	PH.2160
13	2	Hose 62	PH.2162
14a	12	Pipe bracket Ø12 double	H.1603
14b	4	Cover pipe bracket	H.1402
14c	6	Mounting plate pipe bracket	H.1502
15	1	Fuel hose 10mm int. l=1550mm	P12.0532
16	1	T-piece return cylinder	P80.00040
17	1	Fuel hose 10mm int. l=1750mm	P12.0532
18	1	Fuel hose 10mm int. l=900mm	P12.0532
19	1	Tank Return 10mm	P80.0065
20	1	Male threaded coupling 1/4"-10-90°	H.0303
21	1	Reducing nipple 1/2-35mm	PA.12.9.9
22	1	T-coupling 15mm	H.1112
23	1	Hydraulic pipe lift cylinder Ø15x221mm	P02.0503
24	2	Banjo	H.0346
25	1	Hose 66	P02.05001
26	1	Quick coupling 3/8" female	H.0806
27	1	Quick coupling 3/8" male	H.0802
28	1	Male threaded coupling 3/8" – 10	H.0317
29	1	4th valve pipe 10mm upper	BK.267600
30	1	4th valve pipe 10mm lower	OK.267600
31	2	Bulkhead coupling 10-10-90°	H.0702
32	2	Male threaded coupling M14xJIC6	H.0409
33	1	Support 4th Valve	P80.1054

17 – HYDRAULIC TILT CYLINDERS

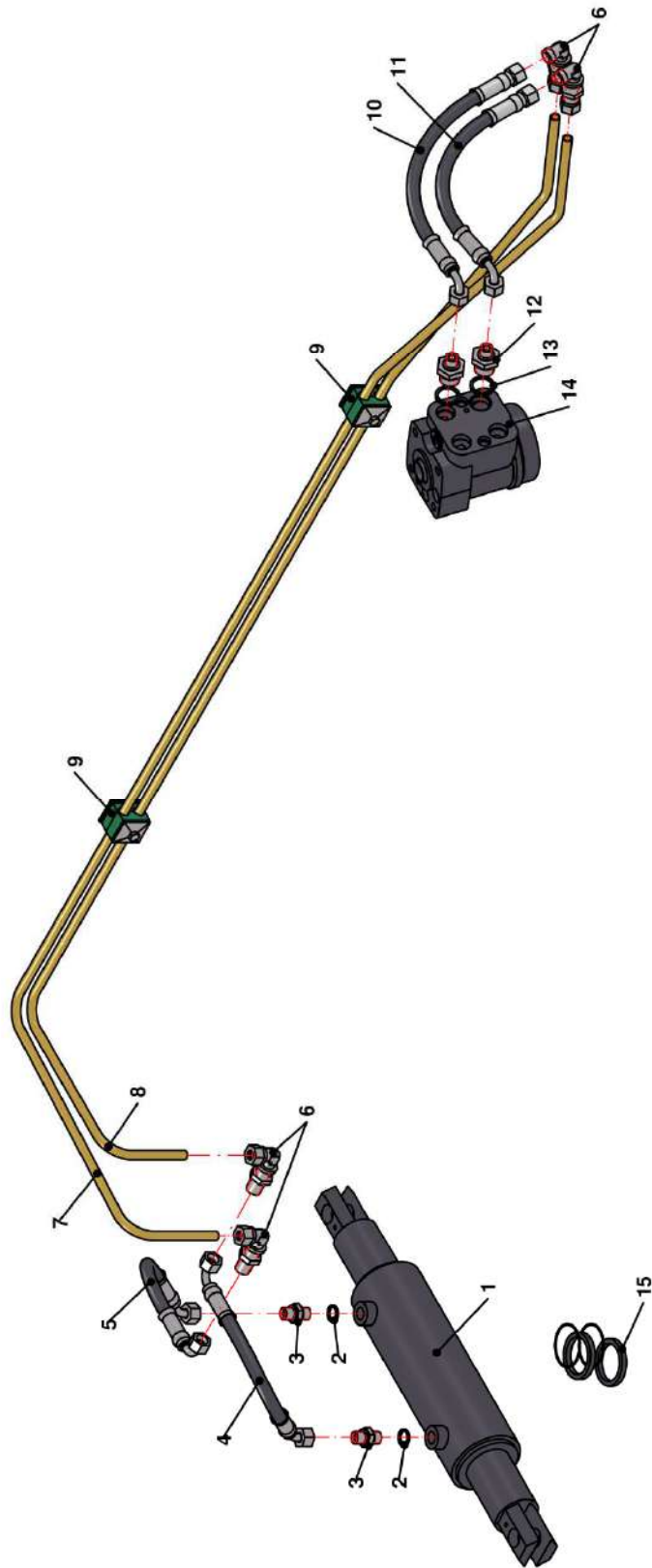


Boxer III/Onderdelenboek/Hydrauliek-Neigcilinders.szz

◀ HYDRAULIC TILT CYLINDERS

Pos.no.	Quantity	Description	Part number
1	2	Tilt cylinder complete	P80.2070
2	2	Locking pin tilt cylinder/frame	P80.106
3	12	Copper ring 14x20x1.5	P12.0387
4	11	Reducing nipple 1/4-1/4	H.0103
5	1	Hose 83	P80.710
6	1	Hose 84	P80.711
7	1	Hose 86	P80.714
8	1	Hose 85	P80.715
9	1	Valve block	PH.DO6DE4BACDZ180126
10	1	Reducing nipple 3/8-10-90°	H.0305
11	1	Hose 82	P80.713
12	1	Throttle non-return valve	P02.220009.1
13	1	Angle 1/4" Inside-Outside	H.0411
14	1	Reducing block	P80.0045
15	1	Hose 81	P80.726
16	1	Reducing nipple 1/4-3/8	H.0104
17	1	Copper ring 21x26x1.5	P03.17.21.26
18	1	Revision kit Tilt cylinder	DC253560000KR

18 – HYDRAULIC STEERING CYLINDER

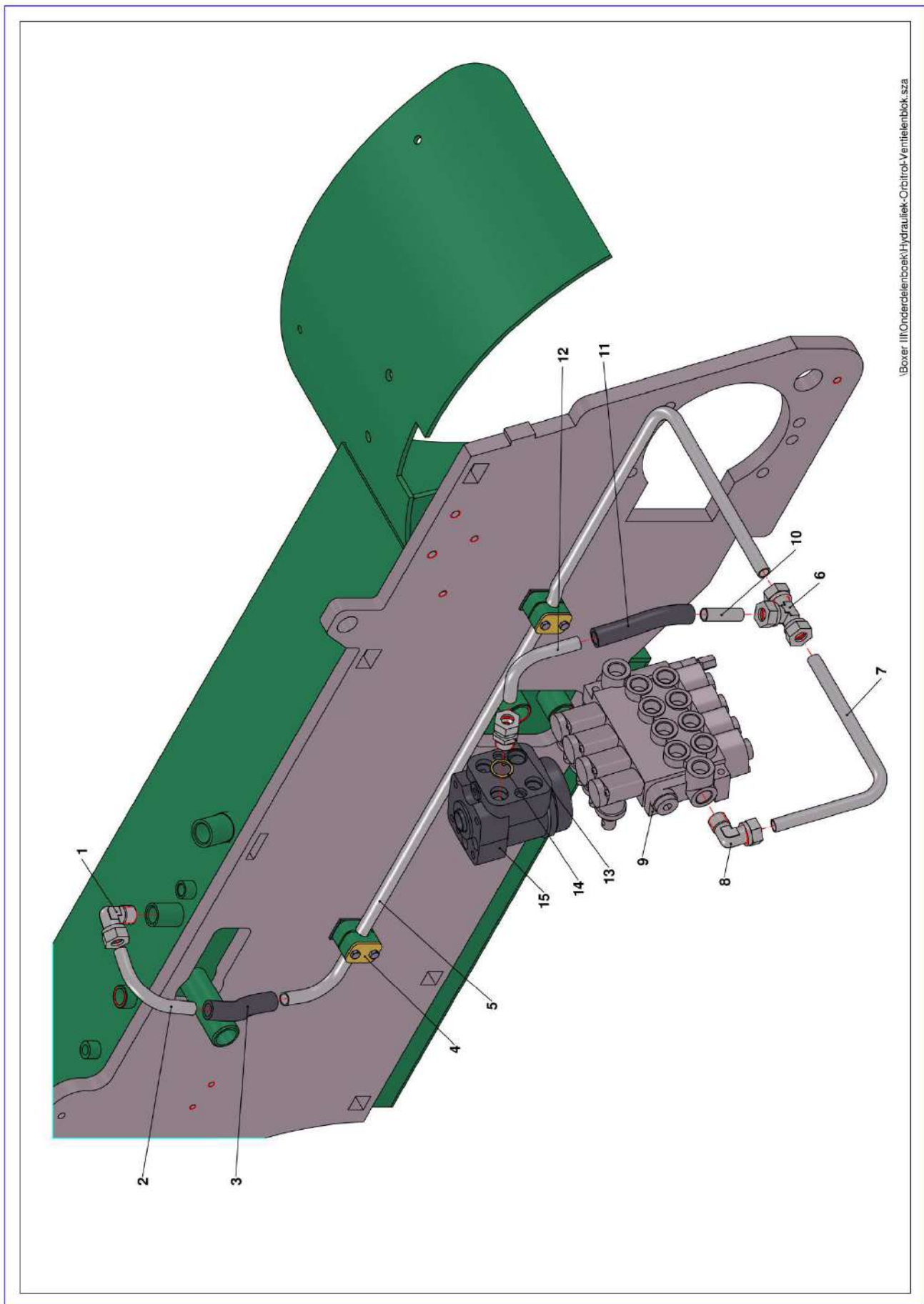


\\Boxer III\Corderdelenboek\Hydrauliek-Stuurcilinder.sza

◀ HYDRAULIC STEERING CYLINDER

Pos.no.	Quantity	Description	Part number
1	1	Steering cylinder	P80.2054
2	2	Copper ring 14x20x1.5	P12.0387
3	2	Reducing nipple 1/4-1/4	H.0103
4	1	Hydrohose no.91	P80.716
5	1	Hydrohose no.90	P80.717
6	4	Hook-shaped bulkhead coupling 10mm	H.0702
7	1	Control line right Ø10	P80.2216
8	1	Control line left Ø10	P80.2217
9	4	Pipe bracket complete Ø10 double	H.1601
10	1	Hydrohose no.88	P80.718
11	1	Hydrohose no.89	P80.719
12	2	Reducing nipple 1/2-10	H.0310
13	2	Copper ring 21x26x1.5	P03.17.21.26
14	1	Orbitrol	P02.0019
15	1	Revision kit Steering cylinder	P80.2071

19 – HYDRAULIC ORBITROL / VALVE BLOCK

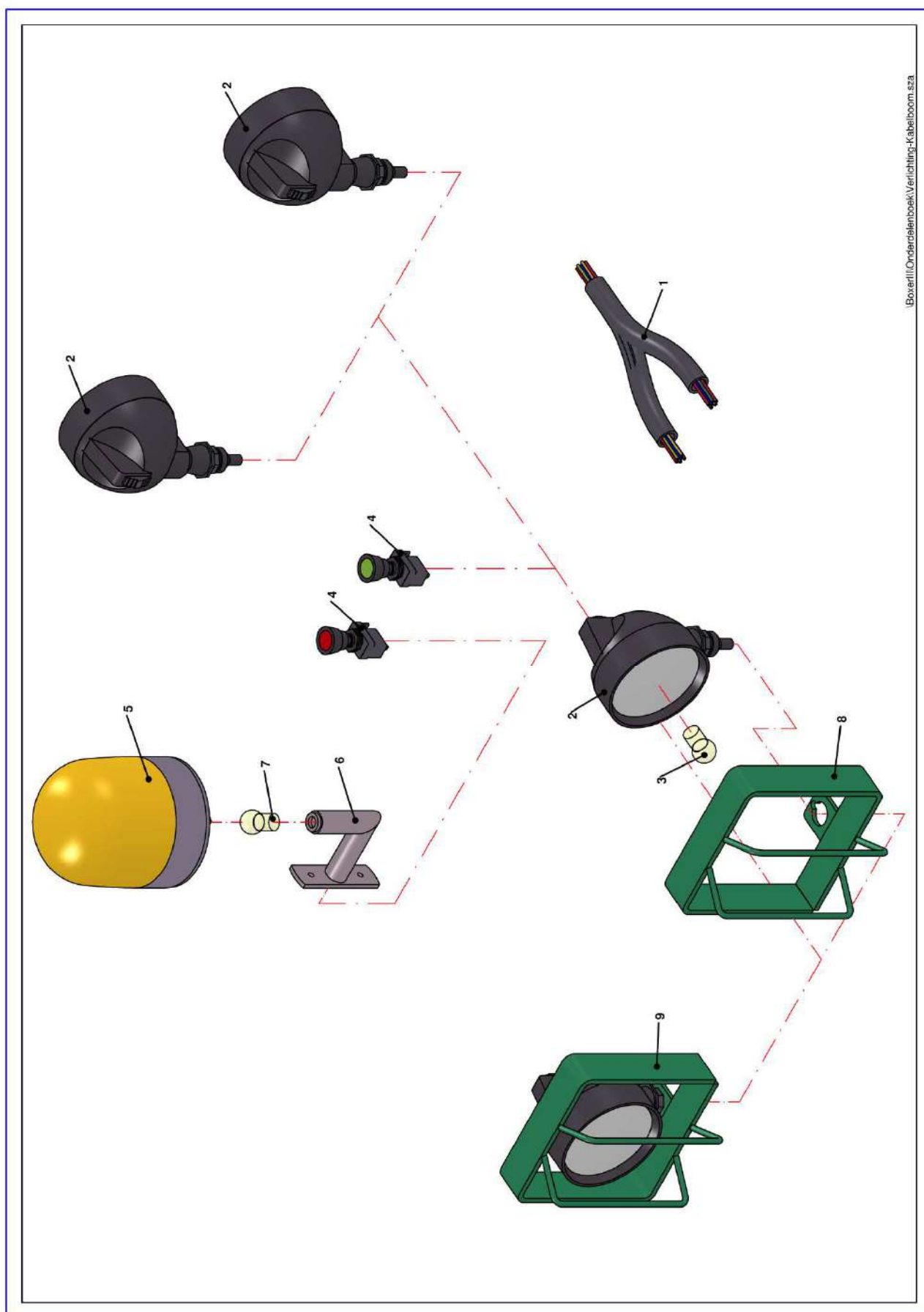


Boxer III(Onderdelenboek)Hydrauliek-Orbitrol-Verstelenblok.sza

◀ HYDRAULIC ORBITROL / VALVE BLOCK

Pos.no.	Quantity	Description	Part number
1	1	Male threaded coupling 1/2-15-90°	H.0302
2	1	Return pipe short Ø15mm	P80.0065
3	1	Fuel hose 15mm int. l=150mm	P2.07011000
4a	4	Pipe bracket Ø15 single	H.1606
4b	2	Cover pipe bracket	H.1403
5	1	Return pipe long Ø15mm	P80.2211
6	1	T-coupling 15mm	P2.134201000
7	1	Return pipe valve block Ø15mm	P80.2214
8	1	Male threaded coupling 3/8-15-90°	H.0308
9	1	Valve block	PH.DO6DE4BACDZ180126
10	1	Return pipe 1 Orbitrol Ø15mm l=60mm	P80.22121
11	1	Fuel hose 15mm int. l=240mm	P2.07011000
12	1	Return pipe 2 Orbitrol Ø15mm	P80.2212
13	1	Male threaded coupling 1/2-15-straight	H.0313
14	1	Copper ring 21x26x1.5	P03.17.21.26
15	1	Orbitrol	P02.0019

20 – LIGHTING



BoxerIII\Onderdelenboek\Verlichting-Kabelboom.szx

◀ LIGHTING

Pos.no.	Quantity	Description	Part number
1	1	Boxer III cable harness	P80.01003
2	2 / 4	Work lamp	P01.13030
3	1	Work lamp globule	P01.0169
4	1	Pull switch	P01.0014.1
5	1	Flashing lamp	P01.13035
6	1	Flashing lamp mounting	P01.13035.1
7	1	Flashing lamp globule	P01.13031.1
8	1	Lamp bracket left	P80.0057
9	1	Lamp bracket right	P80.0058

APPENDIX 1 – MAINTENANCE KITS

<i>Draw.no.</i>	<i>Number</i>	<i>Description</i>	<i>Item number</i>
3	1	V-belt	16282.9701.0
3	1	Oil filter element	16271.3209.0
3		Oil DTE 25	
4	1	Air filter element	15741.1108.0
5	1	Fuel filter element	16613.4300.0
5	1	Fuel filter FT-5167	P11.1030.1
15	1	Suction filter element	CS100P25KA
15	1	Hydraulic filter	P20.00018